

AKASO

# BRAVE 6 PLUS

A C T I O N   C A M E R A



USER MANUAL

V39

English >>

Deutsch >>

Español >>

Français >>

Italiano >>

日本語 >>

Português >>

# Contents

What's in the Box	01	>>
Your Brave 6 Plus	02	>>
Preview Screen	03	>>
Getting Started	05	>>
Overview of Modes	08	>>
Customizing Your Brave 6 Plus	10	>>
Connecting to the AKASO GO App	19	>>
Playing Back Your Content	21	>>
Offloading Your Content	23	>>
Maintaining Your Camera	24	>>
Battery Maintenance	25	>>
Remote Control	27	>>
Mounting Your Camera	30	>>
Contact Us	33	>>

# What's in the Box



Brave 6 Plus  
x1



Waterproof  
Housing x1



Battery Charger  
x1



Battery  
x2



USB Cable  
x1



Remote Control  
x1



Remote Control  
Strap x1



Protective  
Backdoor x1



Clip 1  
x1



Clip 2  
x1



Buckle Mount  
x1



J-Hook Mount  
x1



A Mount  
x1



C Mount  
x1



D Mount  
x1



F Mount  
x1



E Mount  
x1



H Mount  
x1



Spanner  
x1



Helmet Mount  
x2



Bandage  
x4



Tether  
x5



Lens Cloth  
x1



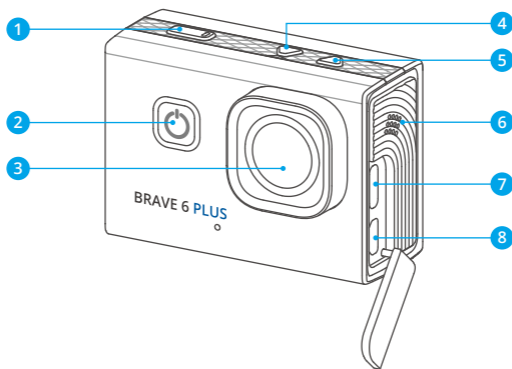
Double-Sided  
Adhesive Tape x2



Quick Start  
Guide x1



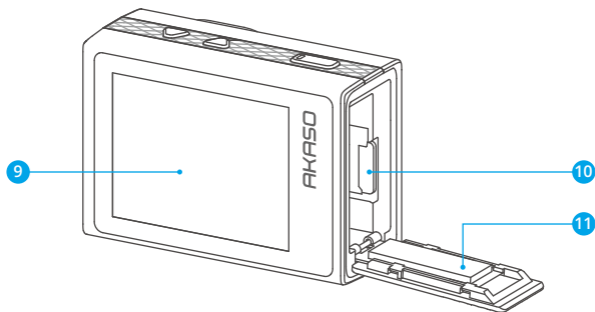
## Your Brave 6 Plus



- |                              |                           |
|------------------------------|---------------------------|
| 1 OK/Shutter/Wifi Button     | 5 Down Button             |
| 2 Power / Mode / Exit Button | 6 Speaker                 |
| 3 Lens                       | 7 USB / External Mic Port |
| 4 Up Button                  | 8 Micro HDMI Port         |

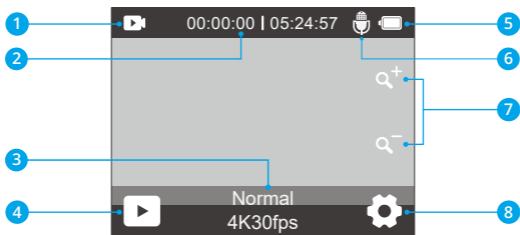
**Note:** The camera will not record sound when it is in the waterproof case.





- 9 Touch Screen
- 10 MicroSD Card Slot
- 11 Battery Door

## Preview Screen



- |                                |                          |
|--------------------------------|--------------------------|
| <b>1</b> Mode                  | <b>5</b> Battery Status  |
| <b>2</b> Recording Time        | <b>6</b> Audio Recording |
| <b>3</b> Current Shooting Mode | <b>7</b> Zoom Level      |
| <b>4</b> Playback              | <b>8</b> Settings        |



# Getting Started

Welcome to your AKASO Brave 6 Plus! To capture videos and photos, you need a memory card (sold separately).

## Memory Cards

Please use brand name memory cards that meet these requirements:

- U3
- Capacity up to 128G

### Note:

- (1) Please format the memory card first in this camera before using. To keep your memory card in good condition, reformat it on a regular basis. Formatting erases all your content, so please make sure to offload your photos and videos before formatting.
- (2) FAT32 format memory card stops recording when the file size reaches to 4GB, and starts to record again on a new file.

## Powering on and off

### To power on:

To turn on the camera, press and hold the Power button for 3 seconds. You'll hear a beep and see the status light come on. Once information appears on the display screen, you'll know that your camera is powered on.

### To power off:

To power off the camera, press and hold the Power button for 3 seconds. You will hear a beep and the status light will turn off.

## Switching shooting modes

To switch shooting modes, enter the mode menu, then tap the "Video" or "Photo" option to access the video or photo mode menu. You will be able to select the desired video or photo mode from the available options. On the mode menu, you can also press the Up or Down button to switch modes.

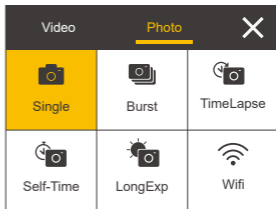
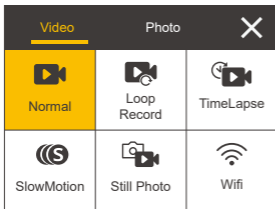




## Entering the mode menu

To enter the mode menu, first make sure the camera is on the preview screen, then tap the mode icon at the bottom of the screen, or press the Power button.

To exit the mode menu, simply tap the "X" icon in the upper right corner.



## Turning Wifi on or off

To turn on Wifi, first turn on your camera, then press and hold the Wifi button, or tap the Wifi icon in the mode menu. To turn off Wifi, simply press the Wifi button again.

## Zooming in or out

To zoom in or out, first make sure the camera is on the preview screen. Then, press the Up button to zoom in, and press the Down button to zoom out. You can also tap the "+" or "-" icon to zoom in or out. The Brave 6 Plus can zoom up to 8X.

## Entering the settings screen

To enter the settings screen, first make sure that the camera is on the preview screen. Then, press and hold the Up button or tap the Settings icon in the bottom right corner. Now you're free to configure the photo, video, and system settings respectively.

## Using the shutter button

In Photo or Video mode, press the Shutter button to capture photos or start video recording. To stop recording in Video mode, press the Shutter button again.

## Entering the playback screen

To enter the playback screen, first make sure that the camera is on the preview screen. Then, press and hold the Down button or tap on the Playback icon in the bottom left corner of the screen. You will be able to access the video or the photo set to playback or delete files. To exit the playback screen, simply tap the Back icon in the upper right corner.

## Indicators

### Working Indicator

The working indicator will remain blue when the camera is working. It will flash once while taking photos, and remain flashing while recording videos.

### Charging Indicator

The charging indicator will remain red when the camera is charging. It will black out when fully charged.

### Wifi Indicator

The Wifi indicator will flash blue when Wifi is enabled, and remain on when Wifi is connected.

# Overview of Modes

There are 11 modes of this camera: Normal, Loop Record, Time Lapse Video, Slow Motion, Still Photo, Single, Burst Photo, Time Lapse Photo, Self-Time, Long Exposure, and Wifi.

## Normal Video Mode

The camera is in Video mode by default when it's turned on. In Video Mode, when you press the Shutter button, the camera starts recording videos. To stop recording, simply press the Shutter button again. You can tap the "+" or "-" icon to adjust the zoom level.

## Loop Record Mode

In Loop Record mode, when you press the Shutter button, the camera will record a loop video of the set length.

## Time Lapse Video Mode

In Time Lapse Video Mode, when you press the Shutter button, the camera will record videos at 30 frames per second, using images captured at specific intervals to create a seamless and high-quality time-lapse effect.

## Slow Motion Mode

The camera is capable of recording videos at specific resolutions and zoom levels. For instance, if you select the option 2.7K 2X to capture a video that lasts for a minute, the camera will generate a 2-minute slow-motion video at 2.7K resolution.

## Still Photo

In this mode, when you press the Shutter button, the camera will grab a still image at the set interval during video recording. The photo will be saved to the photo file.



## **Burst Photo**

In this mode, when you press the Shutter button, the camera will continuously capture 3, 5, or 10 photos per second.

## **Time Lapse Photo Mode**

In this mode, when you press the Shutter button, the camera will take a series of photos at the set interval.

## **Self-Time Mode**

In this mode, when you press the Shutter button, the camera will start to count down, then take a photo after the set countdown.

## **Long Exposure Mode**

In this shooting mode, the camera will continuously capture photos at the set interval until the exposure time finishes. This mode works well for capturing photos in various lighting conditions, including low-light environments, bright settings, and even underwater scenes.

## **Wifi Mode**

When Wifi is turned on, the camera will enter Wifi mode and display the Wifi information within seconds.

# Customizing Your Brave 6 Plus

## Video Settings

### 1. Resolution

4K 30fps, 2.7K 60fps, 2.7K 30fps, 1080P 120fps, 1080P 60fps, 1080P 30fps, 720P 240fps, 720P 120fps, 720P 60fps (Default setting: 4K 30fps)

This camera is capable of recording video up to 4K30fps, with higher resolution offering greater clarity and detail due to the increased number of pixels. However, higher resolution video also results in larger file sizes.

**Note:** Capturing high-resolution or high-fps videos in low-temperature scenes can consume more power.

### 2. Image Stabilization

Off/On (Default setting: Off)

Electronic Image Stabilization (EIS) 2.0 effectively reduces the effect of the camera shakes, allowing for smooth videos. This feature is suitable for use in riding, skiing, and handheld scenes.

**Note:** Image stabilization will be disabled when the video resolution is set to 1080P120fps, 720P240fps, and 720P120fps. It will also be disabled when Loop Recording Time, Time Lapse Interval, Still Photo Time, Distortion Calibration, and Slow Motion are enabled.

### 3. Loop Recording Time

1Min/3Min/5Min/10Min (Default setting: 1Min)

This option allows you to set the length of videos captured in Loop Recording mode. For instance, if you set Loop Recording to "3Min", the camera will save videos every 3 minutes. When the memory is full, new video files will overwrite the old ones to ensure continuous recording.

**Note:** Loop Recording Time works in Loop Record mode only.



#### 4. Time Lapse Interval

1Sec/3Sec/5Sec/10Sec/30Sec/1Min (Default setting: 1Sec)

This option enables you to specify the frequency at which the video frames are captured and compiled. The camera will capture series of videos at the set interval, making it ideal for taking photos in dynamic or changing scenes, such as clouds, stars, sunsets, and more.

**Note:** Time lapse video is recorded without audio. Time Lapse Interval works in Timelapse Video mode only.

#### 5. Slow Motion

2.7K 2X, 1080P 4X, 1080P 2X, 720P 8X, 720P 4X, 720P 2X (Default setting: 2.7K 2X)

You can choose the resolution and zoom level before you create slow motion movies. When Slow Motion is enabled, the camera can record video at a higher frame rate and then plays it back at a lower speed, typically 30 frames per second.

**Note:** Slow Motion works in Slow Motion mode only. It will not show in the settings menu when other modes are enabled.

#### 6. Still Photo Time

3Sec/5Sec/10Sec/30Sec (Default setting: 3 Sec)

This option enables you to specify the frequency at which the photo is captured during video recording.

**Note:** This option works in Still Photo mode only.

#### 7. Microphone

Built-in/External (Default setting: Built-in)

You have the option to select either a built-in microphone or an external one.

**Note:** This option will be disabled in Slow Motion mode.



## 8. Audio Record

On / Off (Default setting: On)

When Audio Record is disabled, the camera will record video without audio. You can choose to turn it on or off.

**Note:** Audio Record will be disabled when the camera is in Slow Motion and TimeLapse modes.

## 9. Exposure Value

-2, -1.7, -1.3, -1.0, -0.7, -0.3, 0, 0.3, 0.7, 1.0, 1.3, 1.7, 2 (Default setting: 0)

By default, your camera uses the entire image to determine the appropriate exposure level. However, Exposure lets you select an area that you want the camera to prioritize when determining exposure. This setting is particularly useful in shots where an important region might otherwise be over- or underexposed.

The camera will display changes in the image the instant you change the setting. It will resume using the entire image to determine the appropriate exposure level if you switch modes.

## 10. Meter

Center / Average / Spot (Default setting: Average)

This option allows you to set the metering mode for different scenes. You can choose a desired meter mode according to the scene.

# Photo Settings

## 1. Photo Resolution

20MP / 16MP // 12MP / 8MP (Default setting: 20MP)

This camera is capable of capturing 20MP photos, with higher resolution offering greater clarity and detail due to the increased number of pixels. However, higher resolution photo also results in larger file sizes.

## 2. Output Format

JPEG/JPEG+DNG (Default setting: JPEG)

Output Format decides the photo's output formats including JPEG and JPEG+DNG. DNG stands for Digital Negative, a lossless raw image format that preserves image data without compression or loss. Choosing DNG results in larger photo file sizes, but ensures superior image quality and protection against data loss.

**Note:** Output Format will be disabled when the camera is in Burst Photo mode.

## 3. Self-Timer

1Sec/3Sec/5Sec/10Sec/30Sec (Default setting: 3Sec)

This option lets you set the countdown time in Self-time mode. The camera will take a photo after the set countdown time.

**Note:** This option works in Self-Time mode only.

## 4. Time Lapse Photo

3Sec/5Sec/10Sec/30Sec/1Min (Default setting: 3Sec)

This option allows you to specify the frequency at which photos are captured and compiled in Time Lapse Photo mode. The camera will take a series of photos at the set interval.

**Note:** This option works in Timelapse Photo mode only.

## 5. Burst Photo

3shots/5shots/10shots (Default setting: 3shots)

This option allows you to set the number of photos to be taken in Burst Photo mode.

**Note:** This option works in Burst Photo mode only.

## 6. Long Exposure

1Sec/2Sec/5Sec/8Sec/30Sec/60Sec (Default setting: 1Sec)





This option helps you set the exposure time in Long exposure mode. The camera will take photos until the set time comes to the end.

**Note:** This feature is available in Long Exposure mode only.

## 7. Exposure Value

-2, -1.7, -1.3, -1.0, -0.7, -0.3, 0, 0.3, 0.7, 1.0, 1.3, 1.7, 2 (Default setting: 0)

By default, your camera uses the entire image to determine the appropriate exposure level. However, Exposure lets you select an area that you want the camera to prioritize when determining exposure. This setting is particularly useful in shots where an important region might otherwise be over- or underexposed. The camera will display changes in the image the instant you change the setting. It will resume using the entire image to determine the appropriate exposure level if you switch modes.

## 8. ISO

Auto / 100 / 200 / 400 / 600 / 800 / 1600 / 3200 (Default setting: Auto)

ISO determines the camera's sensitivity to light and creates a trade-off between brightness and resulting image noise. Image noise refers to the degree of graininess in the image. In low light, higher ISO values result in brighter images, but with greater image noise. Lower values result in lower image noise, but darker images.

## 9. Meter

Center / Average / Spot (Default setting: Average)

This option allows you to set the metering mode for different scenes. You can choose a desired meter mode according to the scene.

## 10. Photo Quality

Fine / Normal / Economy (Default setting: Fine)

This option determines the level of detail in your photos.



# Camera Settings

## 1. Sounds

**Shutter:** On / Off (Default setting: On)

**Boot-up:** On / Off (Default setting: On)

**Beep:** On / Off (Default setting: On)

**Volume:** You can turn the shutter, boot-up, and beep sounds on or off, and adjust the volume of the camera in this setting.

## 2. Angle

Super Wide / Wide / Medium / Narrow (Default setting: Super Wide)

The angle refers to how much of the scene (measured in degrees) can be captured through the camera lens. Super Wide Angle captures the largest amount of the scene, while Narrow Angle captures the least.

## 3. Voice Control

Off / On / Instructions (Default setting: Off)

When Voice Control is enabled, you can order your camera to do simple tasks using the supported voice commands. For more details about the voice commands, please tap on the "Instructions" option.

<b>Instructions:</b> AKASO video start	AKASO Wifi on	AKASO take photo
AKASO stop video	AKASO Wifi off	AKASO power off

## 4. Distortion Calibration

Off / On (Default setting: Off)

This setting corrects the fisheye effect that can occur in wide-angle shots, resulting in distortion-free images.

**Note:** This feature will be disabled when Image Stabilization is enabled.



## 5. White Balance

Auto/Tungsten/Fluorescent/Daylight/Cloudy (Default setting: Auto)

White Balance captures the objects in photos with accurate color representation in various lighting conditions by adjusting the white balance, making it suitable for use in both warm and cool environments.

## 6. Filter

Normal/Black&White/Brown/Colorful/Warm/Cold (Default setting: Normal)

You can choose a desired filter to achieve the optimal shooting effect.

## 7. Diving Mode

On/Off (Default setting: Off)

Diving Mode can compensate for the lack of red light in underwater scenes. Diving Mode is designed to be used in tropical and blue water, optimized for use between 10 and 80 feet.

## 8. Upside Down

Off/On (Default setting: Off)

This setting determines the orientation of your video or photos to help you prevent upside-down footage.

## 9. Driving Mode

On/Off (Default setting: Off)

In this mode, the camera will automatically record video and save the video file when you connect it to the cigarette lighter, and start your car engine.

## 10. Auto Power Off

Off/1 Min/3 Min/5 Min (Default setting: 1 Min)

The camera will automatically power off after a period of inactivity to save battery life.

## 11. Screen Saver

Off/30Sec/1Min/3Min (Default setting: 1Min)

The display will automatically turn off after a period of inactivity to save battery life. To turn on the display again, press any buttons on the camera.

## 12. Language

English/Deutsch/Français/Italiano/Español/Português/日本語/Koeran/简体中文/繁體中文/Российский (Default setting: English)

You can choose the system language for your Brave 6 Plus action camera.

## 13. Date & Time

YYY/MM/DD, MM/DD/YYYY, DD/MM/YYYY (Default setting: MM/DD/YY)

In this setting, you can manually set the date and time for your camera.

## 14. Date Stamp

Off/Date/Date&Time (Default setting: Date&Time)

A watermark will be added to the video or photo based on your preferred settings. For example, if you choose the Date&Time option, the current date and time will be stamped on your video or photo. Alternatively, you have the option to disable this feature by selecting the Off option.

## 15. Power Frequency

60 Hz/50 Hz (Default setting: 50 Hz)

Power frequency is also known as the line frequency or mains frequency, it is the frequency of the alternating current (AC) that is used in most electrical power systems around the world. If you live in the northeastern area, please set the power frequency to 60 Hz, meaning the current changes direction 60 times per second. If you live outside this area, set it to 50 Hz.

## 16. Format Card

Yes/No (Default setting: No)

Before capturing, you need to complete the formatting process. To keep your memory card in good condition, we recommend you reformat it on a regular

basis. Reformatting erases all of your content, so be sure to offload your photos and videos first.

## 17. Reset

Yes/No (Default setting: No)

This option will reset all the settings to the default values.

## 18. About

**Brand:** AKASO      **Model:** Brave 6 Plus      **Version:** SN-39-XXXXXX-VX

This option allows you to check the brand, model, and firmware version of your camera.

**Warm tip:** Some functions can not be used at the same time. Please refer to the information below.

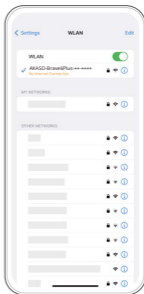
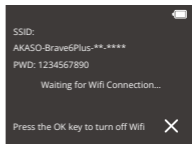
Image Stabilization	Video resolution: 1080P120fps, 720P240fps, 720P120fps
Image Stabilization	Loop Recording Time, Time Lapse Interval, Slow Motion, Still Photo Time, Distortion Calibration
Slow Motion	Video resolution: 4K30fps, 2.7K30fps, 1080P30fps
Slow Motion	Image Stabilization, Loop Recording Time, Time Lapse Interval, Still Photo Time, Audio Record
Still Photo	Loop Recording Time, Time Lapse Interval
Time Lapse Interval	Still Photo Time, Loop Recording Time, Image Stabilization, Audio Record
Time Lapse Photo	Burst Photo, Long Exposure, Self-Timer, Audio Record
Burst Photo	Time Lapse Photo, Output Format, Self-Timer Long Exposure
Self-Time	Time Lapse Photo, Burst Photo, Long Exposure
Long Exposure	Time Lapse Photo, Burst Photo, Self-Timer

## Connecting to the AKASO GO App

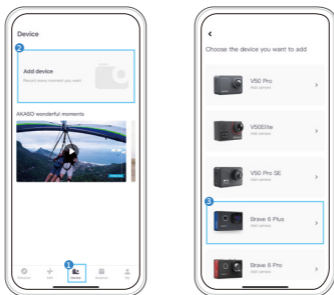
You can control your camera to capture photos and videos using the phone App. To do this, please download and install the AKASO GO App on the App Store or Google Play first. When your camera is connected to the App, you can control it to capture, or change the camera's settings. You can also live preview, playback, download, and edit videos via this App. Please follow the instructions below to connect your camera to the App.

1. Turn on the camera, then press and hold the Power button or tap the Wifi icon in the mode menu to turn on Wifi. The camera will enter Wifi mode and display the Wifi information.
2. Turn on your phone's Wifi to enter the Wifi settings page, find the Wifi SSID in the list and tap on it, then enter the password 1234567890 for connection.

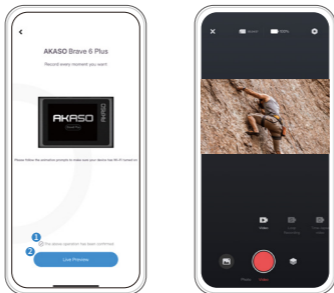
**Warm tip:** Once the camera Wifi is connected, it will give you a "No Internet Connection" or "Weak Security" notice since your phone's 4G signal is blocked. You can ignore it and continue the app connection.



3. Open the AKASO GO APP, tap "Device"→"Add Device", then pick "Brave 6 Plus" from the list for connection.



4. Tick "The above operation has been confirmed", and tap "Live Preview". Your camera will be connected to the AKASO GO APP.



# Playing Back Your Content

You can play back your contents on the camera, your computer, TV, or smartphone. To play back your videos and photos on a computer, you need to transfer these files first. Transferring files also frees up space on your memory for new contents. With this method, the playback resolution depends on the resolution of the device and its ability to play back that resolution.

## 1. Viewing Files on Your Brave 6 Plus

- (1) Turn on your Brave 6 Plus action camera.
- (2) Press the Down button or tap the Playback icon in the bottom left corner to enter the Playback screen.
- (3) Tap the Video or Photo icon to enter the video or photo set. You will be able to access all the video or photo files.
- (4) Tap the file you want to watch, and it will play.

**Note:** If your memory card contains a lot of content, it might take a minute to load.

## 2. Deleting Files on Your Brave 6 Plus

- (1) Enter Playback mode.  
**Note:** If your memory card contains a lot of content, it might take a minute for it to load.
- (2) Tap the Video or Photo icon to enter the video or photo set. You will be able to access all the video or photo files.
- (3) Tap the file you want to delete, and then tap the Delete icon.
- (4) The selected file will be deleted.
- (5) To exit Playback mode, simply tap the Back icon.





### 3. Deleting Files on AKASO GO App

- (1) Open the AKASO GO App, then connect it to your camera.
- (2) Tap the Album icon in the bottom left corner to view all the videos and photos.
- (3) Tap the video or photo you want to delete, then tap the Delete icon in the upper right corner, and then choose "Delete". The chosen file will be deleted.

# Offloading Your Content

## 1. Offloading Your Content to A Computer

You can transfer your content to a computer via a USB cable or a card reader (sold separately). To transfer files to your computer via a USB cable, connect your camera to the computer using the USB cable. When prompted, select "USB Storage" as your connection preference. To transfer files to the computer using a card reader, insert the memory card into the card reader, then connect the reader to your computer's USB port. After successful transmission, you can transfer the files to your computer or delete selected files using File Explorer.

## 2. Downloading Your Content to A Smartphone

- (1) Open the AKASO GO App, then connect it to your camera.
- (2) Tap the Album icon in the bottom left corner to see the videos and photos.
- (3) Tap the Select icon in the upper right corner to choose the photo or video you want to download, then tap the Download icon in the upper right corner, and then choose "Download". Wait for the download process to complete and the file will be saved to your phone's photo album.

**Note:** If you cannot download videos or photos to your iPhone via the app, please enter your phone's Settings page → Privacy → Photos, find "AKASO GO", and select "All photos".



## Maintaining Your Camera

Follow these guidelines to get the best performance from your camera:

- (1) For best audio performance, shake the camera or blow on the mic to remove debris from the microphone holes.
- (2) To clean the lens, wipe it with a soft, lint-free cloth. Do not insert foreign objects around the lens.
- (3) Don't touch the lens with fingers.
- (4) Keep the camera away from drops and bumps, which may cause damage to the parts inside.
- (5) Keep the camera away from high temperature and strong sunshine to avoid being damaged.



# Battery Maintenance

## 1. Maximizing Battery Life

If the battery reaches 0% while recording, the camera saves the file and powers off. To maximize battery life, follow these guidelines when possible:

- (1) Please fully charge the battery and put it into the battery slot for capturing when you use the Brave 6 Plus action camera for the first time.
- (2) Capture at lower resolutions frame rates.
- (3) Fully charge the battery before storing the camera.
- (4) We recommend you replace the battery every year for better performance.

**Warm tip:** Please only use AKASO charging cables and batteries in case of any damage caused to this camera.

## 2. Battery Handling and Storage

- (1) Please leave the lithium battery stored with the remaining battery of 50-60% if not using it for a long period of time. And we recommend you charge the battery every 3 months and discharge it every 6 months.
- (2) Please do not store the battery with metal objects such as coins, keys, or necklaces. If the battery terminals come close to metal objects, fire may be caused due to a short circuit.
- (3) Keep the battery away from wet or moist places, and protect it from damage caused by squeezing or collision.
- (4) Please do not use or store the battery in high temperatures, such as in direct sunlight or a hot compartment. The battery will heat up, malfunction, or have its service life shortened in these conditions.
- (5) Please do not use or store the battery in low-temperature environments as this will shorten the battery life or cause malfunction to the battery.

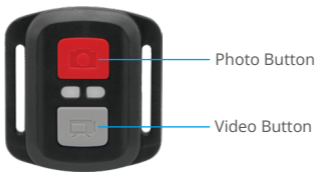


- (6) Please do not put the battery in any places with strong static and magnetic fields, otherwise, the battery protection unit is likely to be destroyed, which causes safety risks.
- (7) Please stop using the battery and remove the battery from the camera or the battery charger at once if it stinks, heats up, discolors, distorts, or if there is anything wrong with the battery while working, charging, or in store.
- (8) Please wrap up the obsolete electrode with insulation paper in case of fire or explosion.
- (9) Please do not throw the battery into the fire in case of an explosion.



## Remote

When the camera is turned on, it will be automatically connected to the remote. You can control the camera to take photos or record videos using the remote.



Splashproof only, not waterproof

### Video

To record video, first make sure the camera is in Video mode.

To start recording, simply press the gray video button. The camera will emit one beep with the working indicator light flashing.

To stop recording, simply press the gray video button again. The camera will emit one beep with the working indicator light turned off.

### Photo

To capture a photo, first make sure the camera is in Photo mode, then press the Photo button. The camera will emit a shutter sound indicating the completion of the shot.

### Burst Photo

To capture burst photos, first verify the camera is in Burst Photo mode, then press the Photo button. The camera will emit a shutter sound indicating the completion of the shot.



## Time Lapse

To capture time lapse photos or videos, first verify the camera is in Time Lapse mode, then press the Photo or Video button. The camera will emit a shutter sound indicating the completion of the shot.

### CR2032 Battery Replacement for Brave 6 Plus Remote

- (1) Use a 1.8mm Phillips tip screwdriver to remove the 4 screws on the back cover of the remote, allowing you to open it.



- (2) Remove another 4 screws on PCB board.



(3) Lift the PCB board and slide out the battery, as shown in the picture.

**Note:** Do NOT rotate the PCB board to avoid reversing the camera and video button functions.



(4) Install the new battery, keeping the "+" pole facing up.

(5) Install all 4 screws back onto the PCB board.



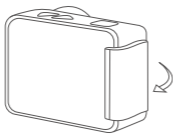
(6) Install all 4 screws back into the cover.



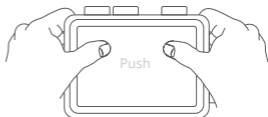
## Mounting Your Camera

Attach your camera to helmets, gear and equipment.

Open



Close



**Note:** Please ensure that you push the waterproof strips of the waterproof case together tightly, making sure there are no gaps between them.







## Contact Us

 (888) 466-9222 (US)

 [cs@akasotech.com](mailto:cs@akasotech.com)

 [www.akasotech.com](http://www.akasotech.com)

For any inquiries about AKASO products, please feel free to contact us. We will respond within 24 hours.



AKASO

# BRAVE 6 PLUS

A K T I O N K A M E R A



BENUTZERHANDBUCH

V39



# Inhalt

Was ist in der Box	01	>>
Ihre Brave 6 Plus	02	>>
Vorschau-Bildschirm	04	>>
Erste Schritte	05	>>
Übersicht Über die Modi	08	>>
Anpassen Ihres Brave 6 Plus	10	>>
Verbindung zur AKASO GO App herstellen	19	>>
Wiedergabe Ihrer Inhalte	21	>>
Das Entladen Ihres Inhalts	23	>>
Wartung Ihrer Kamera	24	>>
Batterie-leben Maximieren	25	>>
Lagerung Und Handhabung Von Batterien	26	>>
Fernbedienung	27	>>
Montage Ihrer Kamera	30	>>
Kontaktiere Uns	33	>>

# Was ist in der Box



Brave 6 Plus  
x 1



Wasserdichtes  
Gehäuse x 1



Batterieladegerät  
x 1



Batterie  
x 2



USB-Kabel  
x 1



Fernbedienung  
x 1



Fernbedienungsband  
x 1



Schutzgehäuse  
x 1



Helmbefestigung 1  
x 1



Helmbefestigung 2  
x 1



Buckle Halterung  
x 1



J-Haken Mount  
x 1



A Mount  
x 1



C Mount  
x 1



D Mount  
x 1



F Mount  
x 1



E Mount  
x 1



H Mount  
x 1



Schraubenschlüssel  
x 1



Helmbefestigung  
x 2



Binden  
x 4



Anbindungen  
x 5



Lintentuch  
x 1

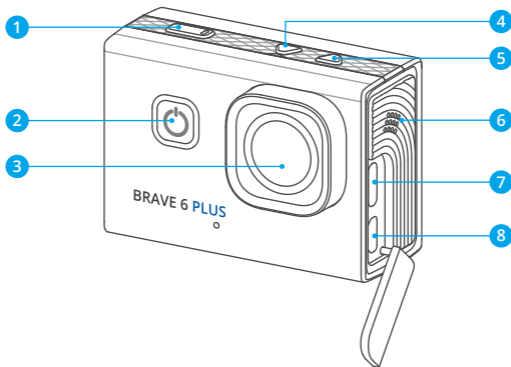


Doppelseitiges  
Kleband x 2



Kurzanleitung  
x 1

# Ihre Brave 6 Plus



1 Auslöser / Wifi / OK-Taste

2 Ein/Aus / Modus / Beenden-Taste

3 Objektiv

4 Aufwärts-Taste

5 Abwärts-Taste

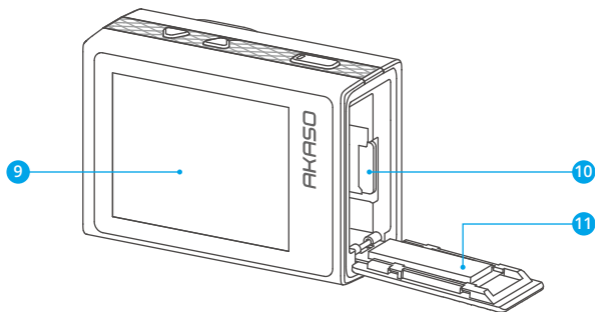
6 Lautsprecher

7 USB / Externer Mik-Anschluss

8 Micro-HDMI-Anschluss



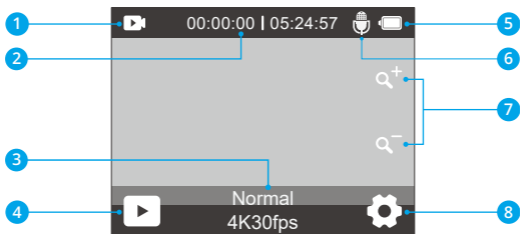




- 9 Touch Screen
- 10 Speicherkartensteckplatz
- 11 Betriebsanzeige

**Hinweis:** Die Kamera nimmt keinen Ton auf, wenn sie im wasserdichten Gehäuse ist.

# Vorschau-Bildschirm



- |                                   |                  |
|-----------------------------------|------------------|
| 1 Modus                           | 5 Batteriestatus |
| 2 Aufnahmezeit/verbleibende Fotos | 6 Audio Aufnahme |
| 3 Aktueller Aufnahmemodus         | 7 Zoomstufe      |
| 4 Wiedergabe                      | 8 Einstellungen  |



# Erste Schritte

Willkommen bei Ihrer AKASO Brave 6 Plus. Um Videos und Fotos aufzunehmen, benötigen Sie eine Speicherkarte (separat erhältlich).

## Speicherkarte

Please use brand name memory cards that meet these requirements:

- U3
- Kapazität bis zu 128GB (FAT32)

### Hinweis:

- (1) Bitte formatieren Sie die Speicherkarte zuerst in dieser Kamera, bevor Sie sie verwenden. Um Ihre Speicherkarte in gutem Zustand zu halten, sollten Sie sie regelmäßig neu formatieren. Durch das Neuformatieren werden alle Inhalte gelöscht, daher stellen Sie bitte sicher, dass Sie Ihre Fotos und Videos vor dem Neuformatieren sichern.
- (2) Eine mit FAT32 formatierte Speicherkarte stoppt die Aufnahme, wenn die Dateigröße 4 GB erreicht, und beginnt dann mit einer neuen Datei erneut aufzuzeichnen.
- (3) Die Verwendung einer Speicherkarte mit einer größeren Kapazität als erforderlich kann zu Komplikationen führen, wie z. B. einer Nichterkennung der Karte. Darüber hinaus kann dies zu Kamerastörungen führen, einschließlich mangelnder Reaktion oder Firmwarefehlern.

## Ein-und Ausschalten

### Einschalten:

Um die Kamera einzuschalten, drücken und halten Sie die Power-Taste für 3 Sekunden gedrückt. Sie werden einen Piepton hören und die Statusleuchte wird angehen. Sobald Informationen auf dem Display erscheinen, wissen Sie, dass Ihre Kamera eingeschaltet ist.

### Zum Ausschalten:

Um die Kamera auszuschalten, drücken und halten Sie die Power-Taste für 3 Sekunden gedrückt. Sie werden einen Piepton hören und die Statusleuchte wird sich ausschalten.

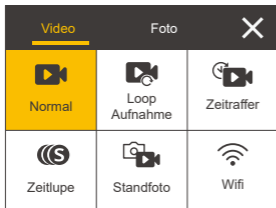


## Wechseln der Aufnahmemodi

Um den Aufnahmemodus zu wechseln, rufen Sie das Modusmenü auf und tippen dann auf die Option "Video" oder "Foto", um das Menü für den Video- oder Fotomodus aufzurufen. Sie können dann den gewünschten Video- oder Fotomodus aus den verfügbaren Optionen auswählen. Im Modusmenü können Sie auch die Auf- oder Ab-Taste drücken, um den Modus zu wechseln.

## Öffnen des Modusmenüs

Um das Modusmenü zu öffnen, stellen Sie sicher, dass sich die Kamera im Vorschau-Bildschirm befindet, und tippen Sie dann auf das Modus-Symbol am unteren Rand des Bildschirms oder drücken Sie die Ein-/Aus-Taste. Um das Modusmenü zu verlassen, tippen Sie einfach auf das "X"-Symbol in der oberen rechten Ecke.



## Wifi ein- und ausschalten

Um Wifi einzuschalten, schalten Sie zuerst Ihre Kamera ein und drücken Sie dann die Wifi-Taste gedrückt oder tippen Sie im Modusmenü auf das Wifi-Symbol. Um Wifi auszuschalten, drücken Sie einfach erneut die Wifi-Taste.

## Zoomen

Um herein- oder herauszuzoomen, stellen Sie sicher, dass sich die Kamera auf dem Vorschau-Bildschirm befindet. Drücken Sie dann die Pfeiltaste nach oben, um hereinzuzoomen, und drücken Sie die Pfeiltaste nach unten, um herauszuzoomen. Sie können auch auf das "+"- oder "-"-Symbol tippen, um herein- oder herauszuzoomen. Das Brave 6 Plus kann bis zu 8-fach zoomen.

## Öffnen des Einstellungsbildschirms

Um den Einstellungsbildschirm zu öffnen, stellen Sie zunächst sicher, dass sich die Kamera im Vorschau-Bildschirm befindet. Drücken und halten Sie dann die Taste "Hoch" oder tippen Sie auf das Einstellungssymbol in der unteren rechten Ecke. Nun können Sie die Foto-, Video- und Systemeinstellungen entsprechend konfigurieren.

## Verwendung der Auslösertaste

Im Foto- oder Videomodus drücken Sie die Auslösertaste, um Fotos aufzunehmen oder die Videoaufnahme zu starten. Um die Aufnahme im Videomodus zu stoppen, drücken Sie die Auslösertaste erneut.

## Öffnen des Wiedergabebildschirms

Um den Wiedergabebildschirm zu öffnen, stellen Sie sicher, dass sich die Kamera im Vorschau-Bildschirm befindet. Drücken und halten Sie dann die Taste "Runter" oder tippen Sie auf das Wiedergabe-Symbol in der unteren linken Ecke des Bildschirms. Dort können Sie auf die Videos oder Fotos zugreifen, um sie abzuspielen oder zu löschen. Um den Wiedergabebildschirm zu verlassen, tippen Sie einfach auf das Zurück-Symbol in der oberen rechten Ecke.

## Anzeigen:

### Arbeitsanzeige:

Die Arbeitsanzeige bleibt blau, wenn die Kamera arbeitet. Sie blinkt einmal beim Fotografieren und blinkt während der Aufnahme von Videos weiterhin.

### Ladeanzeige:

Die Ladeanzeige leuchtet rot, wenn die Kamera geladen wird. Sie erlischt, wenn sie vollständig aufgeladen ist.

### Wifi-Anzeige:

Die Wifi-Anzeige blinkt blau, wenn Wifi aktiviert ist, und bleibt eingeschaltet, wenn eine Wifi-Verbindung besteht.

# Übersicht Über die Modi

Es gibt 11 Modi dieser Kamera: Normal, Loop Aufnahme, Zeitraffer-Video, Zeitlupe, Standfoto, Single, Serienbild, Zeitraffer-Foto, Lange Belichtung, Selbstauslöser und WLAN.

## Normal Video-Modus

Die Kamera befindet sich standardmäßig im Videomodus, wenn sie eingeschaltet wird. Im Videomodus beginnt die Kamera mit der Aufzeichnung eines Videos, wenn Sie den Auslöser drücken. Um die Videoaufnahme zu beenden, drücken Sie einfach erneut den Auslöser. Sie können das "+" oder "-" Symbol antippen, um den Zoompegel anzupassen.

## Loop Aufnahme-Modus

Im Schleifen-Aufnahme-Modus nimmt die Kamera bei Drücken des Auslösers eine Schleifen-Aufnahme mit festgelegter Länge auf. Zeitraffer-Video-Modus  
Zeitraffer-Video-Modus nimmt die Kamera bei Drücken des Auslösers Videos mit 30 Bildern pro Sekunde auf. Dabei werden Bilder in bestimmten Intervallen erfasst, um einen nahtlosen und hochwertigen Zeitraffereffekt zu erzeugen.

## Zeitlupe-Modus

Die Kamera ist in der Lage, Videos mit spezifischer Auflösung und Geschwindigkeit aufzunehmen. Wenn Sie beispielsweise die Option 2,7K 2X auswählen, um ein Video von einer Minute aufzunehmen, generiert die Kamera ein 2-minütiges Zeitlupenvideo mit 2,7K-Auflösung.

## Standfoto-Modus

In diesem Modus nimmt die Kamera bei Drücken des Auslösers ein Standbild im festgelegten Intervall während der Videoaufnahme auf. Das Foto wird in der Fotodatei gespeichert.



## Single-Modus

In diesem Modus nimmt die Kamera bei Drücken des Auslösers ein Foto mit der eingestellten Fotoauflösung auf.

## Serienbild-Modus

In diesem Modus nimmt die Kamera bei Drücken des Auslösers kontinuierlich 3, 5 oder 10 Fotos pro Sekunde auf.

## Zeitraffer-Foto-Modus

In diesem Modus nimmt die Kamera bei Drücken des Auslösers eine Serie von Fotos im festgelegten Intervall auf.

## Selbstauslöser-Modus

In diesem Modus beginnt die Kamera nach Drücken des Auslösers mit einem Countdown und nimmt dann ein Foto nach dem festgelegten Countdown auf.

## Lange Belichtung-Modus

In diesem Aufnahmemodus nimmt die Kamera kontinuierlich Fotos im festgelegten Intervall auf, bis die Belichtungszeit abgelaufen ist. Dieser Modus eignet sich perfekt für Aufnahmen in verschiedenen Lichtverhältnissen, einschließlich schwach beleuchteter Umgebungen, heller Einstellungen und sogar Unterwasserszenen.

## WLAN-Modus

Wenn WLAN aktiviert ist, wechselt die Kamera in den WLAN-Modus und zeigt die WLAN-Informationen an.

# Anpassen Ihres Brave 6 Plus

## Videoeinstellungen

### 1. Videoauflösung

4K 30fps/2.7K 30fps/2.7K 60fps/1080P 120fps/1080P 60fps/1080P 30fps/720P  
240fps/720P 120fps/720P 60fps (Standard: 4K30fps)

Diese Kamera kann Videos mit bis zu 4K30fps aufnehmen. Eine höhere Auflösung bietet eine bessere Klarheit und Detailgenauigkeit aufgrund einer größeren Anzahl von Pixeln. Allerdings führt eine höhere Auflösung auch zu größeren Dateigrößen.

**Hinweis:** Bei Aufnahmen mit hohen Auflösungen oder Bildraten bei warmen Umgebungstemperaturen kann die Kamera warm werden und mehr Strom verbrauchen.

### 2. Bildstabilisierung

Aus/Ein (Standard: Aus)

Die elektronische Bildstabilisierung (EIS2.0) kann Verwacklungen ausgleichen und somit für ruhige und klare Videos sorgen. Diese Funktion eignet sich besonders für Aufnahmen von Aktivitäten wie Reiten, Skaten und Handheld-Aufnahmen.

**Hinweis:** Die Bildstabilisierung wird deaktiviert, wenn die Bildrate über 60fps eingestellt ist. Außerdem wird sie deaktiviert, wenn die Verzerrungskalibrierung und die Umkehrung aktiviert sind, oder wenn die Kamera im Zeitraffer-Video- oder Zeitlupenvideo-Modus ist.

### 3. Schleifenaufnahmezeit

1 Minute/3 Minuten/5 Minuten/10 Minuten (Standard: 1 Minute)

Mit dieser Option können Sie die Länge der in der Schleifenaufnahmefunktion aufgenommenen Videos einstellen. Wenn Sie beispielsweise die Schleifenaufnahmezeit auf "3 Minuten" einstellen, speichert die Kamera alle 3 Minuten ein Video. Wenn der Speicher voll ist, werden neue Videodateien die alten





überschreiben, um eine kontinuierliche Aufzeichnung zu gewährleisten.

**Hinweis:** Die Schleifenaufnahmezeit funktioniert nur im Schleifenaufnahmemodus.

#### 4. Zeitintervall

1 Sekunde/2 Sekunden/5 Sekunden/8 Sekunden/30 Sekunden/10 Sekunden  
(Standard: 1 Sekunde)

Diese Option ermöglicht es Ihnen, die Häufigkeit festzulegen, mit der die Videobilder erfasst und zusammengestellt werden. Die Kamera nimmt eine Serie von Videos im festgelegten Intervall auf, was ideal für die Aufnahme dynamischer oder sich ändernder Szenen wie Wolken, Sterne, Sonnenuntergänge und mehr ist.

**Hinweis:** Zeitraffervideos werden ohne Ton aufgezeichnet. Das Zeitrafferintervall funktioniert nur im Zeitraffervideomodus.

#### 5. Zeitlupe

2,7K 2X/1080P 4X/1080P 2X/720P 8X/20P 4X/720P 2X (Standard: 2,7K 2X)

Sie können die Auflösung und Geschwindigkeit vor der Erstellung von Zeitlupenvideos auswählen. Wenn die Kamera im Zeitlupenmodus ist, nimmt sie das Video mit der eingestellten Auflösung auf und spielt es dann mit der eingestellten Geschwindigkeit ab.

**Hinweis:** Zeitlupe funktioniert nur im Zeitlupenmodus.

#### 6. Standbildzeit

3 Sekunden/5 Sekunden/10 Sekunden/30 Sekunden (Standard: 3 Sekunden)

Diese Option ermöglicht es Ihnen, die Häufigkeit festzulegen, mit der während der Videoaufnahme ein Foto gemacht wird.

**Hinweis:** Diese Option funktioniert nur im Standbildmodus.

#### 7. Mikrofon

Eingebaut/Extern (Standardmäßige Einstellung: Eingebaut)

Du hast die Möglichkeit, entweder ein eingebautes Mikrofon oder ein externes auszuwählen.

## 8. Audioaufnahme

Aus/An (Standard: An)

Wenn die Audioaufnahme deaktiviert ist, zeichnet die Kamera Videos ohne Ton auf. Du kannst wählen, ob du es ein- oder ausschalten möchtest.

Hinweis: Diese Option funktioniert nur in den Modi Video und Schleifenaufnahme.

## 9. Belichtungskorrektur

-2 / -1.7 / -1.3 / -1.0 / -0.7 / -0.3 / 0 / 0.3 / 0.7 / 1.0 / 1.3 / 1.7 / 2 (Standard: 0)

Standardmäßig verwendet deine Kamera das gesamte Bild, um das angemessene Belichtungsniveau zu bestimmen. Die Belichtungskorrektur ermöglicht es dir jedoch, einen Bereich auszuwählen, den die Kamera bei der Belichtung bevorzugt berücksichtigen soll. Diese Einstellung ist besonders nützlich bei Aufnahmen, bei denen eine wichtige Region ansonsten über- oder unterbelichtet wäre. Die Kamera zeigt sofort Änderungen im Bild an, sobald du die Einstellung änderst. Wenn du den Modus wechselst, wird sie wieder das gesamte Bild verwenden, um das angemessene Belichtungsniveau zu bestimmen.

## 10. Messung

Zentrum/Durchschnitt/Stelle (Standard: Durchschnitt)

Diese Option ermöglicht es dir, den Messmodus für verschiedene Szenen festzulegen. Du kannst je nach Szene einen gewünschten Messmodus auswählen.

# Fotoeinstellungen

## 1. Fotoauflösung

20MP/16MP/12MP/8MP (Standard: 20MP)

Diese Kamera kann Fotos mit einer Auflösung von 20MP aufnehmen. Eine höhere Auflösung bietet eine größere Klarheit und Detailgenauigkeit aufgrund der erhöhten Anzahl von Pixeln. Allerdings führt eine höhere Auflösung auch zu größeren Dateigrößen.

## 2. Ausgabeformat

JPEG/JPEG+DNG (Standard: JPEG)

Das Ausgabeformat bestimmt das Format der Fotos, einschließlich JPEG und JPEG+DNG. DNG steht für Digital Negative, ein verlustfreies Rohbildformat, das Bildinformationen ohne Kompression oder Verlust speichert. Die Auswahl von DNG führt zu größeren Dateigrößen, gewährleistet jedoch eine überlegene Bildqualität und Schutz vor Datenverlust.

**Hinweis:** Diese Option ist deaktiviert, wenn sich die Kamera im Serienfoto-Modus befindet.

## 3. Selbstauslöser

1 Sek./3 Sek./5 Sek./10 Sek./30 Sek. (Standard-Einstellung: 3 Sek.)

Mit dieser Option können Sie die Countdown-Zeit im Selbstauslösermodus festlegen. Die Kamera macht nach Ablauf der eingestellten Countdown-Zeit ein Foto.

**Hinweis:** Diese Option funktioniert nur im Selbstauslösermodus.

## 4. Zeitintervall

3 Sek./5 Sek./10 Sek./30 Sek./1 Min (Standard: 3 Sek.)

Mit dieser Option können Sie die Häufigkeit festlegen, mit der die Fotoaufnahmen gemacht und zusammengestellt werden. Die Kamera macht eine Reihe von Fotos im eingestellten Intervall.

**Hinweis:** Diese Option funktioniert nur im Zeitrafferfoto-Modus.

## 5. Serienbild

3 Serien/5 Serien/10 Serien/15 Serien/30 Serien (Standard: 3 Serien)

Diese Option ermöglicht es Ihnen, die Anzahl der aufeinanderfolgenden Fotos festzulegen. Wenn Sie den Auslöser drücken, macht die Kamera kontinuierlich Fotos entsprechend der gewählten Anzahl.

**Hinweis:** Diese Option funktioniert nur im Serienfoto-Modus.

## 6. Lange Belichtung

1 Sek./2 Sek./5 Sek./8 Sek./30 Sek./60 Sek. (Standard: 1 Sek.)

Diese Option hilft Ihnen, die Belichtungszeit im Langzeitbelichtungsmodus einzustellen. Die Kamera macht Fotos, bis die eingestellte Zeit abgelaufen ist.

**Hinweis:** Diese Option funktioniert nur im Langzeitbelichtungsmodus.

## 7. Belichtungswert

-2 / -1.7 / -1.3 / -1.0 / -0.7 / -0.3 / 0 / 0.3 / 0.7 / 1.0 / 1.3 / 1.7 / 2 (Standard: 0)

Standardmäßig verwendet Ihre Kamera das gesamte Bild, um den geeigneten Belichtungswert zu bestimmen. Mit der Belichtung können Sie jedoch einen Bereich auswählen, auf den die Kamera bei der Belichtung festlegen soll. Diese Einstellung ist besonders nützlich bei Aufnahmen, bei denen eine wichtige Region sonst über- oder unterbelichtet wäre. Die Kamera zeigt Änderungen im Bild sofort an, wenn Sie die Einstellung ändern. Wenn Sie den Modus wechseln, verwendet die Kamera wieder das gesamte Bild zur Bestimmung des geeigneten Belichtungswerts.

## 8. ISO

Auto/100/200/400/600/800/1600/3200 (Standard: Auto)

ISO bestimmt die Empfindlichkeit der Kamera gegenüber Licht und erzeugt einen Kompromiss zwischen Helligkeit und resultierendem Bildrauschen. Bildrauschen bezieht sich auf den Grad der Körnigkeit im Bild. Bei schwachem Licht führen höhere ISO-Werte zu helleren Bildern, aber auch zu größerem Bildrauschen. Niedrigere Werte führen zu geringerem Bildrauschen, aber auch zu dunkleren Bildern.

## 9. Messung

Zentrum/Durchschnitt/Stelle (Standard: Durchschnitt)

Diese Option ermöglicht es dir, den Messmodus für verschiedene Szenen festzulegen. Du kannst je nach Szene einen gewünschten Messmodus auswählen.

## 10. Fotoqualität

Fein/Normal/Ökonomisch (Standard-Einstellung: Fein)

Diese Option bestimmt das Detailniveau in Ihren Fotos.

# System-Einstellungen

## 1. Töne

**Piepton:** An / Aus (Standard: An)

**Touch Tone:** An / Aus (Standard: An)

**Startton:** An / Aus (Standard: An)

**Volumen:** Hier können Sie den Tastenton, Berührungston und Startton ein- oder ausschalten sowie die Lautstärke der Kamera anpassen.

## 2. Winkel

Extra breit / Weit / Medium / Schmal (Standard-Einstellung: Extra breit)

Der Winkel gibt an, wie viel von der Szene (in Grad gemessen) durch das Kameraobjektiv erfasst werden kann. Der Extra breit winkel erfasst den größten Teil der Szene, während der schmale winkel den geringsten Teil erfasst.

## 3. Sprachsteuerung

Aus / An (Standard-Einstellung: Aus)

Wenn die Sprachsteuerung aktiviert ist, können Sie Ihrer Kamera einfache Aufgaben mit unterstützten Sprachbefehlen erteilen. Für weitere Informationen zu den Sprachbefehlen tippen Sie bitte auf die Option "Anweisungen".

### Anweisungen:

AKASO Video Starten	AKASO WLAN Einschalten	AKASO Foto Machen
AKASO Video Beenden	AKASO Wifi Ausschalten	AKASO Ausschalten

## 4. Verzerrungskorrektur

An / Aus (Standard: Aus)

Diese Einstellung korrigiert den Fischaugeneffekt, der bei Weitwinkelaufnahmen auftreten kann, und sorgt für verzerrungsfreie Bilder.

**Hinweis:** Die Verzerrungskorrektur kann nicht aktiviert werden, wenn die Bildstabilisierung eingeschaltet ist.

## 5. Weißabgleich

Auto / Kunstlicht / Neonlicht / Sonnenlicht / Bewölkt (Standard: Auto)

Der Weißabgleich stellt sicher, dass Objekte in Fotos unter verschiedenen Lichtverhältnissen mit genauer Farbwiedergabe erfasst werden, indem er den Weißabgleich anpasst. Dadurch eignet er sich sowohl für warme als auch kühle Umgebungen.

**Hinweis:** Um den Weißabgleich einzustellen, deaktivieren Sie bitte den Tauchmodus und setzen Sie den Filter auf "Normal".

## 6. Filter

Normal / Schwarz&Weiß / Braun / Bunt / Warme / Kalt (Standard: Normal)

Diese Einstellung bietet Ihnen verschiedene Optionen zur Auswahl. Mit unterschiedlichen Filtern können Sie beeindruckende Aufnahmen machen.

**Hinweis:** Um den Filter festzulegen, deaktivieren Sie bitte den Tauchmodus und stellen Sie den Weißabgleich auf "Auto" ein.

## 7. Tauchmodus

An / Aus (Standard: Aus)

Der Tauchmodus kann den Mangel an rotem Licht in Unterwasserszenen ausgleichen. Der Tauchmodus ist für den Einsatz in tropischen und blauen Gewässern optimiert und für eine Verwendung zwischen 10 und 80 Fuß gedacht.

**Hinweis:** Um den Tauchmodus zu aktivieren, stellen Sie bitte den Filter auf "Normal" und den Weißabgleich auf "Auto" ein.

## 8. Upside Down

An / Aus (Standard: Aus)

Diese Einstellung bestimmt die Ausrichtung Ihres Videos oder Ihrer Fotos und hilft Ihnen, aufgenommene Aufnahmen auf dem Kopf zu vermeiden.

**Hinweis:** Die Benutzeroberfläche wird auf den Kopf gestellt, wenn Sie diese Einstellung aktivieren. Sie können "Upside Down" nicht aktivieren, wenn die Bildstabilisierung eingeschaltet ist.

## 9. Fahrmodus

An/Aus (Standard: Aus)

In diesem Modus zeichnet die Kamera automatisch Videos auf und speichert die Videodatei, wenn Sie sie an den Zigarettenanzünder anschließen und den Motor starten.

## 10. Auto Aus

Aus/1Minute/3 Minuten/5 Minuten (Standard: 1 Minute)

Die Kamera schaltet sich nach einer Zeit der Inaktivität automatisch aus, um die Batterielebensdauer zu schonen.

## 11. Bildschirmschoner

Aus/30 Sekunden/1 Minute/3 Minuten (Standard: 3 Minuten)

Der Bildschirm schaltet sich nach einer Zeit der Inaktivität automatisch ab, um die Batterielebensdauer zu schonen. Um den Bildschirm wieder einzuschalten, drücken Sie eine beliebige Taste auf der Kamera.

## 12. Sprache

English/Deutsch/Français/Italiano/Español/Português/日本語/Koeran/简体中文/繁體中文/Российский (Standard: English)

Sie können die Systemsprache für Ihre Brave 6 Plus-Actionkamera wählen.

## 13. Datum Uhrzeit

YYY/MM/DD, MM/DD/YYYY, DD/MM/YYYY (Standard: MM/DD/YY)

In dieser Einstellung können Sie das Datum und die Uhrzeit Ihrer Kamera manuell einstellen.

## 14. Datumstempel

Aus/Datum/Datum und Uhrzeit (Standard: Aus)

Ein Wasserzeichen wird basierend auf Ihren bevorzugten Einstellungen zu dem Video oder Foto hinzugefügt. Wenn Sie zum Beispiel die Option "Datum und

Uhrzeit" wählen, wird das aktuelle Datum und die Uhrzeit in Ihr Video oder Foto eingestempelt. Alternativ können Sie diese Funktion deaktivieren, indem Sie die Option "Aus" auswählen.

## 15. Netzfrequenz

60 Hz / 50 Hz (Standard: 60 Hz)

Leistungsfrequenz wird auch als Netzspannungsfrequenz oder Netzfrequenz bezeichnet und ist die Frequenz des Wechselstroms (AC), der in den meisten elektrischen Stromsystemen weltweit verwendet wird. Wenn Sie im nordöstlichen Bereich leben, stellen Sie bitte die Leistungsfrequenz auf 60 Hz ein, was bedeutet, dass sich der Strom 60 Mal pro Sekunde ändert. Wenn Sie außerhalb dieses Bereichs leben, stellen Sie sie auf 50 Hz ein.

## 17. Formatierung

Ja / Nein (Standard: Nein)

Bevor Sie Aufnahmen machen, müssen Sie den Formatierungsprozess abschließen. Um Ihre Speicherkarte in gutem Zustand zu halten, empfehlen wir Ihnen, sie regelmäßig neu zu formatieren. Durch die Formatierung werden alle Inhalte gelöscht, also stellen Sie sicher, dass Sie zuerst Ihre Fotos und Videos sichern.

## 18. Zurücksetzen

Ja / Nein (Standard: Nein)

Diese Option setzt alle Einstellungen auf die Standardwerte zurück.

## 19. Über

**Marke:** AKASO

**Modell:** Brave 6 Plus

**Version:** SN-39-XXXXXX-VX

Mit dieser Option können Sie die Marke, das Modell und die Firmware-Version Ihrer Kamera überprüfen.

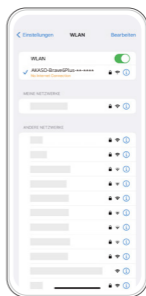
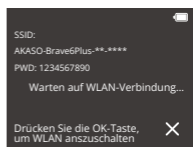


# Verbindung zur AKASO GO App herstellen

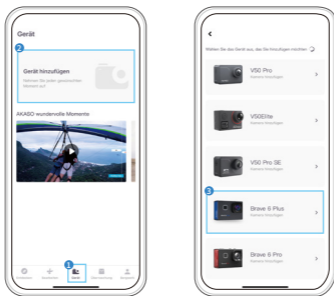
Sie können Ihre Kamera über die Telefon-App steuern, um Fotos und Videos aufzunehmen. Laden Sie zunächst bitte die AKASO GO App aus dem App Store oder Google Play herunter und installieren Sie sie. Sobald Ihre Kamera mit der App verbunden ist, können Sie sie steuern, um Aufnahmen zu machen oder die Kameraeinstellungen zu ändern. Außerdem können Sie über diese App eine Live-Vorschau ansehen, Aufnahmen wiedergeben, herunterladen und bearbeiten. Befolgen Sie bitte die unten stehenden Anweisungen, um Ihre Kamera mit der App zu verbinden.

1. Schalten Sie die Kamera ein und halten Sie dann die Wifi-Taste gedrückt oder tippen Sie auf das Wifi-Symbol im Modusmenü, um Wifi einzuschalten. Die Kamera wechselt in den Wifi-Modus und zeigt die Wifi-Informationen an.
2. Schalten Sie das Wifi auf Ihrem Telefon ein, um zur Wifi-Einstellungsseite zu gelangen. Suchen Sie die Wifi-SSID in der Liste und tippen Sie darauf. Geben Sie dann das Passwort 1234567890 für die Verbindung ein.

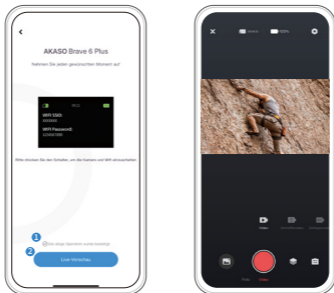
**Tipp:** Wenn das Wifi der Kamera verbunden ist, erhalten Sie eine "Keine Internetverbindung" oder "Schwache Sicherheit"-Meldung, da das 4G-Signal Ihres Telefons blockiert ist. Ignorieren Sie dies einfach und fahren Sie mit der App-Verbindung fort.



3. Öffnen Sie die AKASO GO App, tippen Sie auf "Gerät" → "Gerät hinzufügen" und wählen Sie anschließend "Brave 6 Plus" aus der Liste für die Verbindung.



4. Tick Sie auf "Der obige Vorgang wurde bestätigt", und tippen Sie auf "Live-Vorschau", Ihre Kamera wird mit der AKASO GO App verbunden.



# Wiedergabe Ihrer Inhalte

Sie können Ihre Inhalte auf der Kamera, Ihrem Computer, Fernseher oder Smartphone wiedergeben. Um Videos und Fotos auf einem Computer abzuspielen, müssen Sie diese Dateien zuerst übertragen. Durch die Übertragung von Dateien schaffen Sie auch Platz auf Ihrem Speicher für neue Inhalte. Bei dieser Methode hängt die Wiedergabeauflösung von der Auflösung des Geräts und dessen Fähigkeit ab, diese Auflösung wiederzugeben.

## 1. Anzeigen von Dateien auf Ihrer Brave 6 Plus

- (1) Schalten Sie Ihre Brave 6 Plus Action-Kamera ein.
- (2) Drücken Sie die Abwärtstaste oder tippen Sie auf das Wiedergabe-Symbol in der unteren linken Ecke, um den Wiedergabebildschirm zu öffnen.
- (3) Tippen Sie auf das Video- oder Foto-Symbol, um das Video- oder Fotoset zu öffnen. Sie haben Zugriff auf alle Video- oder Fotodateien.
- (4) Tippen Sie auf die gewünschte Datei, um sie abzuspielen.

## 2. Löschen von Dateien auf Ihrer Brave 6 Plus

- (1) Wechseln Sie in den Wiedergabemodus.  
**Hinweis:** Wenn Ihre Speicherkarte viele Inhalte enthält, kann es einen Moment dauern, bis sie geladen sind.
- (2) Tippen Sie auf das Video- oder Foto-Symbol, um das Video- oder Fotoset zu öffnen. Sie haben Zugriff auf alle Video- oder Fotodateien.
- (3) Tippen Sie auf die Datei, die Sie löschen möchten, und dann auf das Lösch-Symbol.
- (4) Die ausgewählte Datei wird gelöscht.
- (5) Um den Wiedergabemodus zu verlassen, tippen Sie einfach auf das Zurück-Symbol.



### 3. Löschen von Dateien in der AKASO GO App

- (1) Öffnen Sie die AKASO GO App und verbinden Sie sie mit Ihrer Kamera.
- (2) Tippen Sie auf das Album-Symbol in der unteren linken Ecke, um alle Videos und Fotos anzuzeigen.
- (3) Tippen Sie auf das Video oder Foto, das Sie löschen möchten, tippen Sie auf das Lösch-Symbol in der oberen rechten Ecke und dann auf "**Löschen**". Die ausgewählte Datei wird gelöscht.

# Das Entladen Ihres Inhalts

## 1. Ihren Inhalt auf einen Computer übertragen

Sie können Ihren Inhalt über ein USB-Kabel oder einen Kartenleser (separat erhältlich) auf einen Computer übertragen. Um Dateien über ein USB-Kabel auf Ihren Computer zu übertragen, verbinden Sie Ihre Kamera mit dem Computer über das USB-Kabel. Wählen Sie bei Aufforderung "USB-Speicher" als Verbindungsvorliebe aus. Um Dateien über einen Kartenleser auf den Computer zu übertragen, legen Sie eine Speicherkarte in den Kartenleser ein und verbinden Sie dann den Leser mit dem USB-Port Ihres Computers. Nach erfolgreicher Übertragung können Sie die Dateien auf Ihren Computer übertragen oder ausgewählte Dateien mithilfe des Dateieexplorers löschen.

## 2. Ihren Inhalt auf ein Smartphone herunterladen

- (1) Öffnen Sie die AKASO GO App und verbinden Sie die Kamera mit der App.
- (2) Tippen Sie auf das Album-Symbol in der unteren linken Ecke, um die Videos und Fotos anzuzeigen.
- (3) Tippen Sie auf das Auswahlssymbol oben rechts. Sobald Sie die gewünschte Datei ausgewählt haben, tippen Sie auf das Download-Symbol, das sich ebenfalls oben rechts befindet. Wählen Sie dann die Option "**Download**". Warten Sie geduldig, bis der Download-Vorgang abgeschlossen ist, und die Datei wird erfolgreich in das Fotoalbum Ihres Telefons gespeichert.

**Hinweis:** Wenn Sie Videos oder Fotos nicht über die App auf Ihr iPhone herunterladen können, gehen Sie bitte zu den Einstellungen Ihres Telefons → Datenschutz → Fotos. Suchen Sie "AKASO GO" und wählen Sie "Alle Fotos" aus.



## Wartung Ihrer Kamera

Befolgen Sie diese Richtlinien, um die beste Leistung Ihrer Kamera zu erzielen:

- (1) Für eine optimale Audioleistung schütteln Sie die Kamera oder blasen Sie auf das Mikrofon, um Schmutz von den Mikrofonlöchern zu entfernen.
- (2) Um die Linse zu reinigen, wischen Sie sie mit einem weichen, fusselfreien Tuch ab. Führen Sie keine Fremdkörper um das Objektiv ein.
- (3) Berühren Sie das Objektiv nicht mit den Fingern.
- (4) Halten Sie die Kamera von Stürzen und Stößen fern, die die Teile im Inneren beschädigen können.
- (5) Halten Sie die Kamera von hohen Temperaturen und starkem Sonnenschein fern, um Beschädigungen zu vermeiden.



## Batterie-leben Maximieren

Wenn der Akku während der Aufnahme 0% erreicht, speichert die Kamera die Datei und schaltet sie aus.

Befolgen Sie nach Möglichkeit die folgenden Richtlinien, um die Batterielebensdauer zu maximieren:

- Schalten Sie drahtlose Verbindungen aus.
- Nehmen Sie Videos mit niedrigeren Bildraten und Auflösungen auf.
- Verwenden Sie die Bildschirmschonereinstellung.



## Lagerung Und Handhabung Von Batterien

Die Kamera enthält empfindliche Komponenten, einschließlich des Akkus. Setzen Sie Ihre Kamera keinen sehr kalten oder heißen Temperaturen aus. Niedrige oder hohe Temperaturen können die Akkulaufzeit vorübergehend verkürzen oder dazu führen, dass die Kamera vorübergehend nicht mehr ordnungsgemäß funktioniert. Vermeiden Sie dramatische Änderungen der Temperatur oder Luftfeuchtigkeit, wenn Sie die Kamera verwenden, da sich an oder in der Kamera Kondenswasser bilden kann.

- Trocknen Sie die Kamera oder den Akku nicht mit einer externen Wärmequelle wie einer Mikrowelle oder einem Haartrockner. Schäden an der Kamera oder am Akku durch Kontakt mit Flüssigkeit in der Kamera fallen nicht unter die Garantie.
- Bewahren Sie Ihren Akku nicht mit Metallgegenständen wie Münzen, Schlüsseln oder Halsketten auf. Wenn die Batterieklemmen mit Metallgegenständen in Kontakt kommen, kann dies einen Brand verursachen.
- Nehmen Sie keine unbefugten Änderungen an der Kamera vor. Dies kann die Sicherheit, die Einhaltung gesetzlicher Vorschriften und die Leistung beeinträchtigen und zum Erlöschen der Garantie führen.

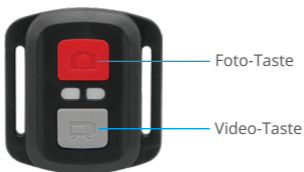
**WARNUNG:** Lassen Sie die Kamera oder den Akku nicht fallen, zerlegen, öffnen, zerdrücken, biegen, verformen, durchstechen, zerkleinern, mikrowellen, verbrennen oder lackieren Sie sie nicht. Führen Sie keine Fremdkörper in die Batterieöffnung der Kamera ein. Verwenden Sie die Kamera oder den Akku nicht, wenn er beschädigt wurde - z. B. wenn er durch Wasser gerissen, durchstoßen oder beschädigt wurde. Das Zerlegen oder Durchstechen der Batterie kann zu einer Explosion oder einem Brand führen.





# Fernbedienung

Wenn die Kamera eingeschaltet wird, wird sie automatisch mit der Fernbedienung verbunden. Sie können die Kamera mit der Fernbedienung steuern, um Fotos aufzunehmen oder Videos aufzuzeichnen.



Nur spritzwasserfest, nicht wasserdicht

## Video

Um ein Video aufzunehmen, stellen Sie zunächst sicher, dass sich die Kamera im Videomodus befindet.

Um die Aufnahme zu starten, drücken Sie einfach den grauen Videoknopf. Die Kamera gibt einen Piepton von sich und die Arbeitsanzeige blinkt.

Um die Aufnahme zu stoppen, drücken Sie einfach erneut den grauen Videoknopf. Die Kamera gibt einen Piepton von sich und die Arbeitsanzeige erlischt.

## Foto

Um ein Foto aufzunehmen, stellen Sie zunächst sicher, dass die Kamera sich im Fotomodus befindet, dann drücken Sie den Fotoknopf. Die Kamera gibt einen Auslöserton ab, um das Ende der Aufnahme anzuzeigen.



## Serienbild

Um eine Serie von Fotos aufzunehmen, stellen Sie zunächst sicher, dass die Kamera sich im Serienfoto-Modus befindet, dann drücken Sie den Fotoknopf. Die Kamera gibt einen Auslöserton ab, um das Ende der Aufnahme anzuzeigen.

## Zeitraffer

Um Zeitrafferaufnahmen von Fotos oder Videos zu machen, stellen Sie zunächst sicher, dass die Kamera sich im Zeitraffermodus befindet, dann drücken Sie den Fotoknopf oder den Videoknopf. Die Kamera gibt einen Auslöserton ab, um das Ende der Aufnahme anzuzeigen.

## Ersatzbatterie CR2032 für Brave 6 Plus-Fernbedienung

- (1) Entfernen Sie mit einem 1,8-mm-Kreuzschlitzschraubendreher die 4 Schraubenauf der Rückseite der Fernbedienung, damit Sie sie öffnen können.



- (2) Entfernen Sie weitere 4 Schrauben auf der Leiterplatte.



(3) Heben Sie die Platine an und ziehen Sie den Akku heraus, wie in der Abbildung gezeigt.

**Hinweis:** Drehen Sie die Platine NICHT, um eine Umkehrung der Funktionen der Kamera und der Videotasten zu vermeiden.



(4) Setzen Sie die neue Batterie ein und achten Sie dabei darauf, dass der Pluspol nach oben zeigt.

(5) Bringen Sie alle 4 Schrauben wieder auf der Leiterplatte an.

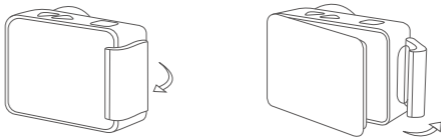


(6) Setzen Sie alle 4 Schrauben wieder in die Abdeckung ein.

# Montage Ihrer Kamera

Befestigen Sie Ihre Kamera an Helmen, Ausrüstung und Ausrüstung.

Öffnen



Schließen



**Hinweis:** Drücken Sie und stellen Sie sicher, dass zwischen den wasserdichten-Streifen des wasserdichten Gehäuses kein Spalt vorhanden ist.







## Kontaktiere Uns

✉ [cs@akasotech.com](mailto:cs@akasotech.com)    🌐 [www.akasotech.com](http://www.akasotech.com)

Bei Fragen zu AKASO-Produkten können Sie sich gerne an uns wenden. Wir werden uns innerhalb von 24 Stunden bei Ihnen melden.



AKASO

# BRAVE 6 PLUS

Cámara de Acción



MANUAL DE USUARIO

V39





# Contenidos

Qué hay en la caja-----	01	>>
Su Brave 6 Plus-----	02	>>
Pantalla de vista previa -----	04	>>
Primeros pasos-----	05	>>
Resumen de Modos -----	08	>>
Personaliza Su Brave 6 Plus -----	10	>>
Conectando a la aplicación AKASO GO-----	19	>>
Reproducir Su Contenido-----	21	>>
Transferencia de tu contenido -----	23	>>
Mantener Su Cámara -----	24	>>
Mantenimiento de la Batería -----	25	>>
Control Remoto -----	27	>>
Montaje Su Cámara-----	30	>>
Contáctenos -----	33	>>

# Qué hay en la caja



Brave 6 Plus  
x1



Carcasa  
Impermeable x1



Cargador  
x1



Batería  
x2



Cable USB  
x1



Control Remoto  
x1



Muñequera de  
Control Remoto x1



Puerta Trasera  
Protectora x1



Clip 1  
x1



Clip 2  
x1



Hebilla de Montaje  
x1



Montaje J-Gancho  
x1



Montaje A  
x1



Montaje C  
x1



Montaje D  
x1



Montaje F  
x1



Montaje E  
x1



Montaje H  
x1



Llave Inglesa  
x1



Soporte Para  
Casco x2



Vendajes  
x4



Ataduras  
x5



Paño Para Lente  
x1



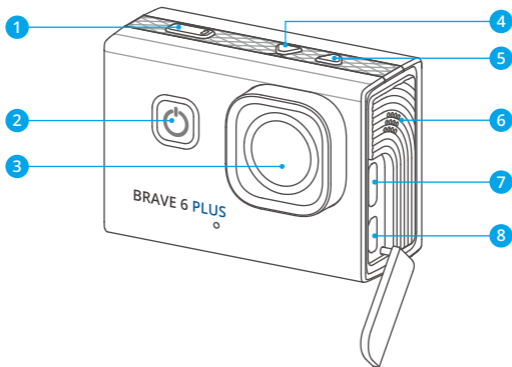
Cinta Adhesiva  
Doble Cara x2



Guía de Inicio  
Rápido x1



## Su Brave 6 Plus



1 OK/Obturador/Botón Wifi

2 Botón de Disparo/Wifi Frontal

3 Altavoz

4 Botón Arriba

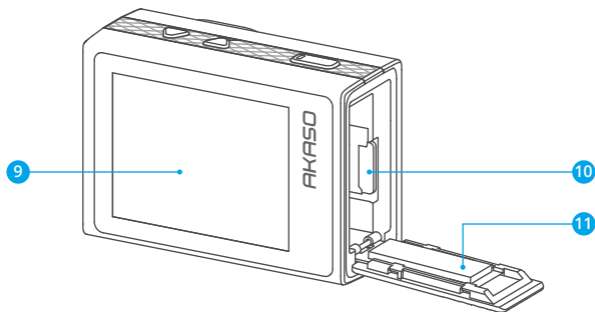
5 Botón Abajo

6 Altavoz

7 Puerto USB/Puerto Mic externo

8 Puerto Micro HDMI

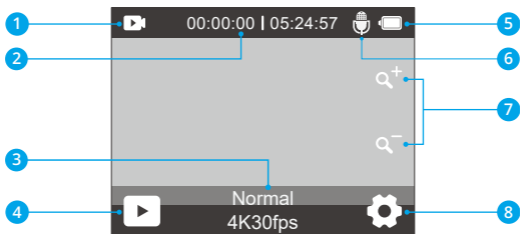




- 9 Pantalla táctil
- 10 Ranura para tarjetas MicroSD
- 11 Tapa de la batería

**Nota:** La cámara no graba sonido cuando está en la carcasa impermeable.

## Pantalla de vista previa



- |                          |                        |
|--------------------------|------------------------|
| 1 Modo                   | 5 Estado de la Batería |
| 2 Tiempo de Grabación    | 6 Grabación de Audio   |
| 3 Modo de Disparo Actual | 7 Nivel de Zoom        |
| 4 Reproducción           | 8 Configuraciones      |



# Primeros pasos

Bienvenido a tu cámara de acción AKASO Brave 6 Plus. Para capturar videos y fotos, necesitarás una tarjeta de memoria (se vende por separado).

## Tarjeta de Memoria

Use tarjetas de memoria de marca que cumplan con estos requisitos:

- U3
- Capacidad de hasta 128GB

### Nota:

- (1) Formatee la tarjeta de memoria primero en esta cámara antes de utilizarla. Para mantener su tarjeta de memoria en buena condición, reformatéela de nuevo periódicamente. Reformatar borrará todo su contenido, así que asegúrese de descargar primero sus fotos y videos.
- (2) La tarjeta de memoria en formato FAT32 deja de grabar cuando el almacenamiento de cada archivo supera los 4 GB y comienza a grabar nuevamente en un archivo nuevo.
- (3) Usar una tarjeta de memoria con una capacidad mayor a la requerida puede llevar a complicaciones como la falta de reconocimiento de la tarjeta. Además, puede causar fallas en la cámara, incluyendo la falta de respuesta o el fallo del firmware.

## Encendido y Apagado

### Encendido:

Para encender la cámara, mantén presionado el botón de encendido durante 3 segundos. Escucharás un pitido y verás que se enciende la luz de estado. Una vez que aparezca la información en la pantalla, sabrás que tu cámara está encendida.

### Apagado:

Para apagar la cámara, mantén presionado el botón de encendido durante 3 segundos. Escucharás un pitido y la luz de estado se apagará.



## Cambiar los modos de disparo

Para cambiar los modos de disparo, ingresa al menú de modos y luego toca la opción "Video" o "Foto" para acceder al menú de modo de video o foto. Podrás seleccionar el modo de video o foto deseado de las opciones disponibles. En el menú de modos, también puedes presionar el botón Arriba o Abajo para cambiar los modos.

## Ingresar al menú de modos

Para ingresar al menú de modos, asegúrate primero de que la cámara esté en la pantalla de vista previa, luego toca el ícono de modo en la parte inferior de la pantalla o presiona el botón de encendido.

Para salir del menú de modos, basta con tocar el ícono "X" de la esquina superior derecha.



## Activar y Desactivar Wifi

Para activar Wifi, primero enciende tu cámara, luego mantén presionado el botón de Wifi o toca el ícono de Wifi en el menú de modos. Para desactivar el Wifi, simplemente presiona nuevamente el botón de Wifi.

## Zoom

Para acercar o alejar, asegúrate de estar en la pantalla de vista previa. Luego, presiona el botón de subir para acercar y el botón de bajar para alejar. También puedes tocar los íconos "+" o "-" para hacer zoom. El Brave 6 Plus puede hacer zoom hasta 8X.

## Ingresar a la pantalla de configuraciones

Para ingresar a la pantalla de configuraciones, asegúrate de que la cámara esté en la pantalla de vista previa. Luego, mantén presionado el botón de subir o toca el icono de configuraciones en la esquina inferior derecha. Ahora podrás configurar las opciones de foto, video y sistema respectivamente.

## Usar el botón de disparo

En modo de Foto o Video, presiona el botón de disparo para capturar fotos o comenzar a grabar un video. Para detener la grabación en el modo de Video, vuelve a presionar el botón de disparo.

## Ingresar a la pantalla de reproducción

Para ingresar a la pantalla de reproducción, asegúrate de que la cámara esté en la pantalla de vista previa. Luego, mantén presionado el botón de bajar o toca el icono de reproducción en la esquina inferior izquierda de la pantalla. Podrás acceder a los videos o fotos para reproducir o eliminar archivos. Para salir de la pantalla de reproducción, simplemente toca el icono de retroceso en la esquina superior derecha.

## Indicadores

### Indicador de Funcionamiento

El indicador de funcionamiento permanecerá azul cuando la cámara esté en funcionamiento. Parpadeará una vez al tomar fotos y seguirá parpadeando durante la grabación de videos.

### Indicador de Carga

El indicador de carga permanecerá en rojo cuando la cámara se esté cargando. Se apagará cuando esté completamente cargada.

### Indicador de Wifi

El indicador de Wifi parpadeará en azul cuando el Wifi esté habilitado y permanecerá encendido cuando haya una conexión Wifi establecida.



# Resumen de Modos

Esta cámara cuenta con 11 modos: Normal, Grabación en Bucle, Video Time Lapse, Cámara Lenta, Foto Fija, Foto Único, Ráfaga Foto, Foto Time Lapse, Temporizador, Exposición Larga y Wifi.

## Modo de Video Normal

La cámara está en modo de video de forma predeterminada cuando se enciende. En el modo de video, al presionar el botón de disparo, la cámara comienza a grabar el video. Para detener la grabación, simplemente presiona nuevamente el botón de disparo. Puedes tocar los iconos "+" o "-" para ajustar el nivel de zoom.

## Modo de Grabación en Bucle

En el modo de Grabación en Bucle, al presionar el botón de disparo, la cámara grabará un video en bucle de la duración establecida.

## Modo de Video Time Lapse

En el modo de Video Time Lapse, al presionar el botón de disparo, la cámara grabará videos a 30 cuadros por segundo, utilizando imágenes capturadas a intervalos específicos para crear un efecto de lapso de tiempo perfecto y de alta calidad.

## Modo de Cámara Lenta

La cámara es capaz de grabar videos a una resolución y velocidad específicas. Por ejemplo, si seleccionas la opción 2.7K 2X para capturar un video que dure un minuto, la cámara generará un video de cámara lenta de 2 minutos con una resolución de 2.7K.



## **Modo de Foto fija**

En este modo, al presionar el botón de disparo, la cámara capturará una imagen fija a intervalos establecidos durante la grabación de video. La foto se guardará en el archivo de fotos.

## **Modo de Foto Único**

En este modo, al presionar el botón del disparador, la cámara tomará una foto con la resolución de foto establecida.

## **Modo de Foto Time Lapse**

En este modo, al presionar el botón de disparo, la cámara tomará una serie de fotos a intervalos establecidos.

## **Modo de Temporizador**

En este modo, al presionar el botón de disparo, la cámara iniciará una cuenta regresiva y luego tomará una foto después del tiempo establecido.

## **Modo de Larga Exposición**

En este modo de disparo, la cámara capturará continuamente fotos a intervalos establecidos hasta que finalice el tiempo de exposición. Este modo funciona perfectamente para capturar fotos en diversas condiciones de iluminación, incluyendo entornos con poca luz, configuraciones brillantes e incluso escenas submarinas.

## **Modo Wifi**

Cuando se activa el Wifi, la cámara entrará en modo Wifi y mostrará la información de Wifi disponible.

# Personaliza Su Brave 6 Plus

## Configuración de vídeo

### 1. Resolución

4K 30fps/2.7K 30fps/2.7K 60fps/1080P 120fps/1080P 60fps/1080P 30fps/720P  
240fps/720P 120fps/720P 60fps (Por defecto: 4K 30fps)

Esta cámara es capaz de grabar video hasta 4K30fps, con una resolución más alta que ofrece mayor claridad y detalle debido al aumento en la cantidad de píxeles. Sin embargo, el video de mayor resolución también resulta en tamaños de archivo más grandes.

**Nota:** Capturar videos de alta resolución o alta velocidad de fotogramas en escenas de baja temperatura puede consumir más energía.

### 2. Estabilización de imagen

Apagado/Encendido (Por defecto: Apagado)

La Estabilización Electrónica de Imagen (EIS2.0) puede suavizar eficientemente los movimientos del objetivo, lo que resulta en videos nítidos y claros. Esta función es ideal para capturar escenas que involucran actividades como montar, patinar y uso portátil.

**Nota:** La estabilización de imagen se desactivará cuando se configure la frecuencia de fotogramas por encima de 60fps. También se desactivará cuando se habilite la Calibración de Distorsión y Invertir, o cuando la cámara esté en los modos de Video Time Lapse y Cámara Lenta.

### 3. Tempo di loop

1 Minuto/3 Minutos/5 Minutos/10 Minutos (Por defecto: 1 Minuto)

Esta opción te permite establecer la duración de los videos capturados en el modo de Grabación en Bucle. Por ejemplo, si configuras el Tiempo de Grabación en Bucle en "3Minuto", la cámara guardará videos cada 3 minutos. Cuando la



memoria esté llena, los nuevos archivos de video sobrescribirán los antiguos para garantizar una grabación continua.

**Nota:** El Tiempo de Grabación en Bucle solo funciona en el modo de Grabación en Bucle.

#### 4. Intervallo di tempo

1 Segundo/3 Segundos/5 Segundos/10 Segundos/30 Segundos/1 Minuto (Por defecto: 1Segundo)

Esta opción te permite especificar la frecuencia con la que se capturan y se compilan los fotogramas del video en Time Lapse. La cámara capturará una serie de videos a intervalos establecidos, lo que la hace ideal para capturar escenas dinámicas o cambiantes, como nubes, estrellas, atardeceres y más.

**Nota:** Los videos en Time Lapse se graban sin audio. El Intervalo de Fotos en Time Lapse solo funciona en el modo de Video Time Lapse.

#### 5. Cámara lenta

2.7K 2X/1080P 4X/1080P 2X/720P 8X/720P 4X/720P 2X (Por defecto: 2.7K 2X)

Puedes elegir la resolución y velocidad antes de crear videos en cámara lenta. Cuando la cámara está en el modo de Cámara Lenta, grabará videos con la resolución establecida y luego los reproducirá a la velocidad configurada.

**Nota:** La Cámara Lenta solo funciona en el modo de Cámara Lenta.

#### 6. Tiempo de foto fija

3 Segundos/5 Segundos/10 Segundos/30 Segundos (Por defecto: 3 Segundos)

Esta opción te permite especificar la frecuencia con la que se captura una foto durante la grabación de video.

**Nota:** Esta opción solo funciona en el modo de Foto fija.

#### 7. Micrófono

Incorporado/Externo (Por defecto: Incorporado)



Tienes la opción de seleccionar entre un micrófono incorporado o uno externo.

## 8. Grabación de Audio

Apagado/Encendido (Por defecto: Apagado)

Cuando la Grabación de Audio está activada, la cámara grabará audio durante la grabación de video.

**Nota:** Esta opción solo funciona en los modos de Video y Grabación en Bucle.

## 9. Valor de Exposición

-2 / -1.7 / -1.3 / -1.0 / -0.7 / -0.3 / 0 / 0.3 / 0.7 / 1.0 / 1.3 / 1.7 / 2 (Por defecto: 0)

De forma predeterminada, tu cámara utiliza toda la imagen para determinar el nivel de exposición adecuado. Sin embargo, la Exposición te permite seleccionar un área que quieres que la cámara priorice al determinar la exposición. Esta configuración es especialmente útil en tomas donde una región importante podría estar sobreexpuesta o subexpuesta. La cámara mostrará los cambios en la imagen en el mismo instante en que cambias la configuración. Si cambias de modo, la cámara volverá a utilizar toda la imagen para determinar el nivel de exposición adecuado.

## 10. Medidor

Centrar/Multi/Lugar(Por defecto: Multi)

Esta opción te permite establecer el modo de medición para diferentes escenas. Puedes elegir el modo de medición deseado según la escena.

# Configuración de fotos

## 1. Resolución

20MP/16MP/12MP/8MP (Por defecto: 20MP)

Esta cámara es capaz de capturar fotos de 20MP, donde una mayor resolución ofrece mayor claridad y detalle debido al aumento en el número de píxeles. Sin embargo, fotos de mayor resolución también resultan en archivos más grandes.

## 2. Formato de Salida

JPEG/JPEG+DNG (Por defecto: JPEG)

El Formato de Salida determina los formatos de salida de las fotos, incluyendo JPEG y JPEG+DNG. DNG significa Negativo Digital, un formato de imagen RAW sin pérdida que preserva los datos de la imagen sin compresión o pérdidas. Elegir DNG resultará en archivos de foto más grandes, pero garantiza una calidad de imagen superior y protección contra la pérdida de datos.

**Nota:** El Formato de Salida se desactivará cuando la cámara esté en modo de Ráfaga Foto.

## 3. Temporizador

Apagado/1 Segundo/3 Segundos/5 Segundos/10 Segundos/30 Segundos (Por defecto: 1 Segundo)

Esta opción te permite establecer el tiempo de cuenta regresiva en el modo de Temporizador Automático. La cámara tomará una foto después del tiempo de cuenta regresiva establecido.

**Nota:** Esta opción solo funciona en el modo de Temporizador.

## 4. Intervallo TimeLapse

3 Segundos/5 Segundos/10 Segundos/30 Segundos/1 Minuto (Por defecto: 3 Segundos)

Esta opción te permite especificar la frecuencia con la que se capturan y se compilan las fotos en el modo de Foto en Intervalo. La cámara tomará una serie de fotos en el intervalo establecido.

**Nota:** Esta opción solo funciona en el modo de Foto TimeLapse.

## 5. Ráfaga Foto

Apagado/3 Disparos/5 Disparos/10 Disparos (Por defecto: 3 Disparos)

Esta opción te permite establecer la cantidad de fotos que se tomarán en el modo de Foto Ráfaga.

**Nota:** Esta opción solo funciona en el modo de Ráfaga Foto.



## 6. Larga Exposición

Apagado/1 Segundo/ 2 Segundos/5 Segundos/8 Segundos/30 Segundos/60 Segundos (Por defecto: 1 Segundo)

Esta opción te ayuda a establecer el tiempo de exposición en el modo de Exposición Larga. La cámara seguirá tomando fotos hasta que se alcance el tiempo establecido.

**Nota:** Esta opción solo funciona en el modo de Larga Exposición.

## 7. Valor de Exposición

-2 / -1.7 / -1.3 / -1.0 / -0.7 / -0.3 / 0 / 0.3 / 0.7 / 1.0 / 1.3 / 1.7 / 2 (Por defecto: 0)

De forma predeterminada, tu cámara utiliza toda la imagen para determinar el nivel de exposición adecuado. Sin embargo, la Exposición te permite seleccionar un área que quieres que la cámara priorice al determinar la exposición. Esta configuración es especialmente útil en tomas donde una región importante podría estar sobreexpuesta o subexpuesta. La cámara mostrará los cambios en la imagen en el mismo instante en que cambies la configuración. Si cambias de modo, la cámara volverá a utilizar toda la imagen para determinar el nivel de exposición adecuado.

## 8. Medida

Centrar/Multi/Lugar(Por defecto: Multi)

Esta opción te permite establecer el modo de medición para diferentes escenas. Puedes elegir el modo de medición deseado según la escena.

## 9. ISO

Auto/100/200/400/600/800/1600/3200 (Por defecto: Auto)

El ISO determina la sensibilidad de la cámara a la luz y crea un equilibrio entre el brillo y el ruido de la imagen resultante. El ruido de la imagen se refiere al grado de granulosidad en la imagen. En condiciones de poca luz, valores de ISO más altos resultan en imágenes más brillantes, pero con mayor ruido de imagen. Valores más bajos resultan en menos ruido de imagen, pero imágenes más oscura.



## 10. Foto Calidad

Alta/Media/Baja( Por defecto: Alta)

Esta opción determina el nivel de detalle en tus fotos.

## Configuración de sistema

### 1. Sounds

**Obturador:** Apagado/Encendido (Por defecto: Encendido)

**ncendido:** Apagado/Encendido (Por defecto: Encendido)

**Pitido:** Apagado/Encendido (Por defecto: Encendido)

**Volume:** Puedes activar o desactivar los sonidos del obturador, encendido y pitido, y ajustar el volumen de la cámara en esta configuración.

### 2. Ángulo

Súper Ancho/Amplio/Medio/Estrecho (Por defecto: Súper Ancho)

El ángulo se refiere a cuánto de la escena (medido en grados) se puede capturar a través del objetivo de la cámara. El ángulo Super Amplio captura la mayor cantidad de la escena, mientras que el ángulo Estrecho captura la menor cantidad.

### 3. Control de Voz

Apagado/Encendido (Por defecto: Apagado)

Cuando el Control de Voz está habilitado, puedes ordenarle a tu cámara que realicetareas simples utilizando los comandos de voz compatibles. Para obtener más detalles sobre los comandos de voz, por favor selecciona la opción "Instrucciones".

#### Instrucciones:

AKASO empezar video

AKASO Wifi encendido

AKASO tomar foto

AKASO detener video

AKASO Wifi apagado

AKASO apagar





#### 4. Calibración Distorsión

Apagado/Encendido (Por defecto: Apagado)

Esta configuración corrige el efecto de ojo de pez que puede ocurrir en tomas de gran angular, resultando en imágenes sin distorsión.

**Nota:** Esta función se desactivará cuando la Estabilización de Imagen esté habilitada.

#### 5. Balance de Blancos

Auto/Incandescente/Fluorescente/Luz diurna/Nublado (Por defecto: Auto)

El Balance de Blancos captura los objetos en las fotos con una representación precisa de los colores en diversas condiciones de iluminación mediante el ajuste del balance de blancos, lo cual lo hace adecuado para su uso tanto en ambientes cálidos como fríos.

**Nota:** Para ajustar el Balance de Blancos, por favor primero desactiva el Modo Buceo y establece el Filtro en "Normal".

#### 6. Filtro

Normal/Blanco y Negro/Marrón/Colorido/Cálido/Frío (Por defecto: Normal)

Puedes elegir un filtro deseado para lograr el efecto de disparo óptimo.

**Nota:** Para ajustar el Filtro, por favor desactiva el Modo Buceo y establece el Balance de Blancos en "Auto".

#### 7. Modo Buceo

Apagado/Encendido (Por defecto: Apagado)

El modo submarino puede compensar la falta de luz roja en escenas submarinas. El Modo Submarino está diseñado para ser utilizado en aguas tropicales y azules, optimizado para su uso entre 10 y 80 pies.

**Nota:** Para activar el Modo Buceo, por favor primero establece el Filtro en "Normal" y el Balance de Blancos en "Auto".

## 8. Al Revés

Apagado/Encendido (Por defecto: Apagado)

Esta configuración determina la orientación de tus videos o fotos para ayudarte a evitar grabaciones al revés.

**Nota:** La interfaz de usuario estará al revés cuando habilites esta configuración. No puedes activar "Al Revés" cuando la Estabilización de Imagen está activada.

## 9. Modo Conducción

Apagado/Encendido (Por defecto: Apagado)

En este modo, la cámara grabará automáticamente video y guardará el archivo de video cuando se conecte al encendedor del automóvil y arranque el motor.

## 10. Apagado Auto

Apagado/1 Minuto/3 Minutos/5 Minutos (Por defecto: 3 Minutos)

La cámara se apagará después de un período de inactividad para ahorrar energía de la batería.

## 11. Salvapantallas

Apagado/30 Segundos/1 Minuto/3 Minutos (Por defecto: 3 Minutos)

La pantalla se apagará automáticamente después de un período de inactividad para ahorrar batería. Para encender la pantalla nuevamente, presiona cualquier botón en la cámara.

## 12. Idioma

English/Deutsch/Français/Italiano/Español/Português/日本語/Koeran/简体中文/繁體中文/Российский (Por defecto: English)

Puedes elegir el idioma del sistema para tu cámara de acción Brave 6 Plus.

## 13. Fecha y hora

YYY/MM/DD, MM/DD/YYYY, DD/MM/YYYY (Por defecto: MM/DD/YY)

En esta configuración, puedes establecer manualmente la fecha y hora para tu cámara.

## 14. Sello de Fecha

Apagado/Fecha/Fecha y hora (Por defecto: Apagado)

Se añadirá una marca de agua al video o foto según tus preferencias. Por ejemplo, si eliges la opción Fecha y hora, la fecha y hora actual se estamparán en tu video o foto. Alternativamente, tienes la opción de desactivar esta función seleccionando la opción Apagado.

## 15. Poder frecuencia

60 Hz/50 Hz (Por defecto: 60 Hz)

La frecuencia de energía también se conoce como frecuencia de línea o frecuencia de red, es la frecuencia de la corriente alterna (AC) que se utiliza en la mayoría de los sistemas eléctricos en todo el mundo. Si vives en el área noreste, por favor establece la frecuencia de energía en 60 Hz, lo que significa que la corriente cambia de dirección 60 veces por segundo. Si vives fuera de esta área, configúralo en 50 Hz.

## 16. Formatear tarjeta

Sí/No (Por defecto: No)

Antes de capturar, necesitas completar el proceso de formateo. Para mantener tu tarjeta de memoria en buenas condiciones, te recomendamos formatearla regularmente. El formateo borrará todo tu contenido, así que asegúrate de transferir tus fotos y videos primero.

## 17. Restablecer

Sí/No (Por defecto: No)

Esta opción restablecerá todas las configuraciones a los valores predeterminados.

## 18. Info de tarjeta SD

Esta opción te permite verificar la capacidad utilizada y restante de la tarjeta.

## 19. Sobre

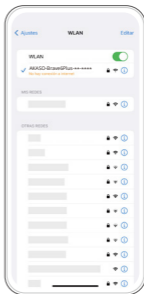
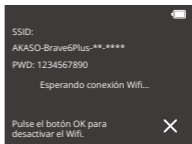
Esta opción te permite verificar la marca, modelo y versión del firmware de tu cámara.

## Conectando a la aplicación AKASO GO

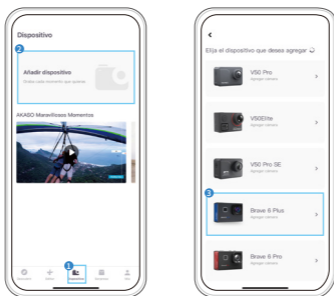
Puedes controlar tu cámara para capturar fotos y videos utilizando la aplicación del teléfono. Para hacer esto, descarga e instala primero la aplicación AKASO GO desde la App Store o Google Play. Cuando tu cámara esté conectada a la aplicación, podrás controlarla para capturar fotos, cambiar la configuración de la cámara, ver la vista previa en tiempo real, reproducir, descargar y editar videos. Sigue las instrucciones a continuación para conectar tu cámara a la aplicación.

1. Enciende la cámara, luego presiona y mantén presionado el botón de Wifi o pulsa el icono de Wifi en el menú de modos para activar el Wifi. La cámara entrará en modo Wifi y mostrará la información de Wifi.
2. Activa el Wifi de tu teléfono para ingresar a la página de configuración de Wifi, busca el nombre de red (SSID) Wifi en la lista y tócalo, luego ingresa la contraseña 1234567890 para conectarte.

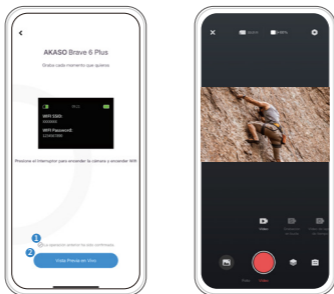
**Consejo:** Una vez que el Wifi de la cámara está conectado, es posible que veas un aviso de "Sin conexión a internet" o "Seguridad débil" debido a que la señal 4G de tu teléfono está bloqueada. Puedes ignorarlo y continuar con la conexión a la aplicación.



3. Abre la aplicación AKASO GO, toca "Dispositivo" y "Añadir dispositivo", luego selecciona "Brave 6 Plus" de la lista para la conexión.



4. Marca "La operación anterior ha sido confirmada", y haga clic en "Vista previa en vivo", su cámara estará conectada a la aplicación AKASO GO.



# Reproducir Su Contenido

Puedes reproducir tus contenidos en la cámara, tu computadora, TV o smartphone. Para reproducir tus videos y fotos en una computadora, primero necesitas transferir estos archivos. La transferencia de archivos también libera espacio en tu memoria para nuevos contenidos. Con este método, la resolución de reproducción depende de la resolución del dispositivo y su capacidad para reproducir esa resolución.

## 1. Visualización de archivos en tu Brave 6 Plus

- (1) Enciende tu cámara de acción Brave 6 Plus.
- (2) Presiona el botón hacia abajo o toca el icono de Reproducción en la esquina inferior izquierda para ingresar a la pantalla de reproducción.
- (3) Toca el ícono de Video o Foto para acceder a los archivos de video o foto. Podrás acceder a todos los archivos de video o foto.
- (4) Toca el archivo que deseas ver y se reproducirá.

**Note:** Si tu tarjeta de memoria tiene mucho contenido, puede tardar un minuto en cargarse.

## 2. Eliminar Archivos en su Brave 6 Plus

- (1) Ingresa al modo de reproducción.  
**Nota:** Si tu tarjeta de memoria contiene mucho contenido, puede llevar un minuto para cargarlo.
- (2) Toca el ícono de Video o Foto para acceder a los archivos de video o foto. Podrás acceder a todos los archivos de video o foto.
- (3) Toca el archivo que deseas eliminar y luego toca el ícono de Eliminar.
- (4) El archivo seleccionado será eliminado.
- (5) Para salir del modo de reproducción, simplemente toca el ícono de Retroceso.



### 3. Eliminación de archivos en la aplicación AKASO GO

- (1) Abre la aplicación AKASO GO, luego conéctala a tu cámara.
- (2) Toca el ícono de Álbum en la esquina inferior izquierda para ver todos los videos y fotos.
- (3) Toca el video o foto que deseas eliminar, toca el ícono de Eliminar en la esquina superior derecha y luego selecciona la opción "Eliminar". El archivo elegido será eliminado.

# Transferencia de tu contenido

## 1. Transferencia de tu contenido a una computadora

Puedes transferir tus contenidos a una computadora mediante un cable USB o un lector de tarjetas (se venden por separado). Para transferir archivos a tu computadora mediante un cable USB, conecta tu cámara a la computadora usando el cable USB. Cuando se te solicite, selecciona "Almacenamiento USB" como preferencia de conexión. Para transferir archivos a la computadora mediante un lector de tarjetas, inserta la tarjeta de memoria en el lector de tarjetas y luego conecta el lector al puerto USB de tu computadora. Después de una transmisión exitosa, puedes transferir los archivos a tu computadora o borrar archivos seleccionados utilizando el Explorador de Archivos.

## 2. Descarga de contenidos en un smartphone

- (1) Abre la aplicación AKASO GO, luego conecta la cámara a la aplicación.
- (2) Toca el ícono de Álbum en la esquina inferior izquierda para ver los videos y fotos.
- (3) Toca el ícono de Seleccionar ubicado en la esquina superior derecha. Una vez que hayas seleccionado el archivo deseado, toca el ícono de Descarga también ubicado en la esquina superior derecha. A continuación, toca la opción de Descarga. Espera pacientemente a que el proceso de descarga finalice y el archivo se guardará correctamente en el álbum de fotos de tu teléfono.

**Nota:** Si no puedes descargar videos o fotos en tu iPhone a través de la aplicación, ingresa a la página de Configuración de tu teléfono → Privacidad → Fotos, busca "AKASO GO" y selecciona "Todas las fotos".





## Mantener Su Cámara

Siga estas reglas para obtener el mejor rendimiento de su cámara:

- (1) Para obtener el mejor rendimiento de audio, agite la cámara o sople el micrófono para eliminar la suciedad de los orificios del micrófono.
- (2) Para limpiar la lente, límpiela con un paño suave y sin pelusa. No inserte objetos extraños alrededor de la lente.
- (3) No toque la lente con los dedos.
- (4) Mantenga la cámara alejada de caídas y golpes, ya que podría dañar las piezas internas.
- (5) Mantenga la cámara alejada de las altas temperaturas y la luz solar intensa para evitar daños.



# Mantenimiento de la Batería

## 1. Maximizar la duración de la batería

Si la batería alcanza el 0% durante la grabación, la cámara guardará el archivo y se apagará.

Para maximizar la vida útil de batería, siga las siguientes reglas si es posible:

- Apague conexiones inalámbricas.
- Capture video a velocidades de cuadro y resoluciones más bajas.
- Use la configuración de salvapantallas.

## 2. Almacenamiento Y Manipulación de la Batería

La cámara contiene componentes sensibles, incluida la batería. Evite exponer su cámara a temperaturas muy frías o muy calientes. Las condiciones de temperatura baja o alta pueden acortar temporalmente la vida útil de la batería o hacer que la cámara deje de funcionar temporalmente. Evite los cambios dramáticos en la temperatura o la humedad cuando utilice la cámara, ya que puede formarse condensación dentro o dentro de la cámara.

- No seque la cámara o la batería con una fuente de calor externa, como un horno de microondas o un secador de pelo. El daño a la cámara o batería causado por contacto con líquido dentro de la cámara no se cubre por la garantía.
- No almacene su batería con objetos metálicos, como monedas, llaves o collares. Si la batería hace contacto con objetos metálicos, esto puede provocar un incendio.
- No realice modificaciones no autorizadas a la cámara. Hacerlo puede comprometer la seguridad, el cumplimiento normativo, el rendimiento y anular la garantía.



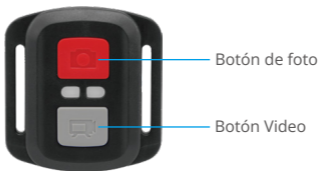
**ADVERTENCIA:**

No deje caer, desmonte, abra, aplaste, doble, deforme, perforo, triture, cocine en microondas, incinere o pinte la cámara o la batería. No inserte objetos extraños en la abertura de la batería de la cámara. No utilice la cámara o la batería si ha sido dañada, por ejemplo, si está agrietada, perforada o dañada por el agua. El desmontaje o la perforación de la batería pueden provocar una explosión o un incendio.



# Control Remoto

Cuando la cámara está encendida, se conectará automáticamente al control remoto. Puedes controlar la cámara para tomar fotos o grabar videos utilizando el control remoto.



A prueba de salpicaduras, no impermeable

## Video

Para grabar un video, primero asegúrate de que la cámara esté en modo de Video.

Para empezar a grabar, simplemente presiona el botón de video gris. La cámara emitirá un pitido y la luz indicadora parpadeará.

Para detener la grabación, simplemente presiona nuevamente el botón de video gris. La cámara emitirá un pitido y la luz indicadora de trabajo se apagará.

## Photo

Para capturar una foto, primero asegúrate de que la cámara esté en modo de Foto, luego presiona el botón de Foto. La cámara emitirá un sonido de obturador indicando la finalización de la toma.



## Fotos ráfaga

Para capturar ráfagas de fotos, primero verifica que la cámara esté en modo de Ráfaga de Fotos, luego presiona el botón de Foto. La cámara emitirá un sonido de obturador indicando la finalización de la toma.

## Lapso de tiempo

Para capturar fotos o videos en intervalos de tiempo, primero verifica que la cámara esté en modo de Lapso de Tiempo, luego presiona el botón de Foto o Video. La cámara emitirá un sonido de obturador indicando la finalización de la toma.

## Reemplazo de Batería CR2032 para Control Remoto Brave 6 Plus

(1) Utilizar un destornillador Phillips de 1,8 mm para quitar los 4 tornillos de la tapa posterior del control remoto, lo que permite que se abra.



(2) Retirar otros 4 tornillos en la placa PCB.



(3) Levantar la placa PCB y deslizar la batería hacia afuera, como se muestra en la figura.

**Nota:** NO girar la PCB para evitar invertir las funciones de la cámara y los botones de video.



(4) Instalar la batería nueva, manteniendo el polo '+' hacia arriba.

(5) Reemplazar los 4 tornillos en la placa PCB.

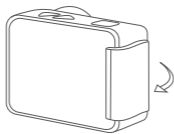


(6) Reemplazar los 4 tornillos en la cubierta.

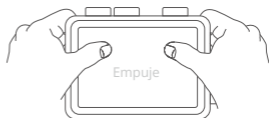
## Montaje Su Cámara

Sujete su cámara a cascos, equipos y equipo.

Abierto



Cerca



**Nota:** Empuje y asegúrese de que no haya espacio entre las tiras impermeables de la carcasa impermeable.









## Contáctenos

✉ [cs@akasotech.com](mailto:cs@akasotech.com)    🌐 [www.akasotech.com](http://www.akasotech.com)

Para cualquier consulta con los productos AKASO, sin duda en contactarnos, le responderemos dentro de las 24 horas.



AKASO

# BRAVE 6 PLUS

CAMÉRA D'ACTION



MANUEL D'UTILISATION

V39



# Contenu

Qu'y a-t-il dans la Boite-----	01	>>
Votre Brave 6 Plus-----	02	>>
Écran d'aperçu-----	04	>>
Commencer-----	05	>>
Aperçu des modes -----	08	>>
Personnalisation de Votre Brave 6 Plus-----	10	>>
Connecter à l'application AKASO GO-----	19	>>
Lecture de votre contenu -----	21	>>
Suppression de vos contenus-----	22	>>
Transférez Votre Contenu-----	23	>>
Entretenez Votre Caméra -----	24	>>
Maximisez la Durée de Vie de la Batterie -----	25	>>
Stockage et Manipulation de la Batterie-----	26	>>
Télécommande-----	27	>>
Montage de Votre Caméra-----	30	>>
Contactez-Nous -----	33	>>

# Qu'y a-t-il dans la Boite



Brave 6 Plus  
x1



Boîtier étanche  
x1



Chargeur  
x 1



Batterie  
x2



Câble USB  
x 1



Télécommande  
x 1



Sangle de  
Télécommande x1



Protection de la  
Porte Arrière x 1



Clip 1  
x 1



Clip 2  
x 1



Boucle Mont  
x1



Monture en Crochet J  
x1



Monture A  
x1



Monture C  
x1



Monture D  
x1



Monture F  
x1



Monture E  
x1



Monture H  
x 1



Clé  
x 1



Supports pour  
Casque x 2



Pansements  
x4



Attaches  
x5



Tissu pour Lentilles  
x 1



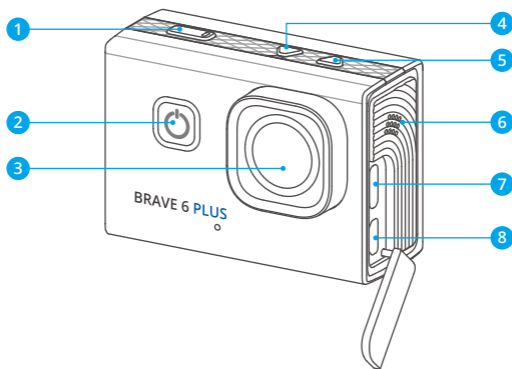
Ruban Adhésif  
Double Face x2



Guide de Démarrage  
Rapide x 1



# Votre Brave 6 Plus



1 Bouton Obturateur /Wifi /OK

2 Bouton Marche/Mode/Sortie

3 Lentille

4 Bouton haut

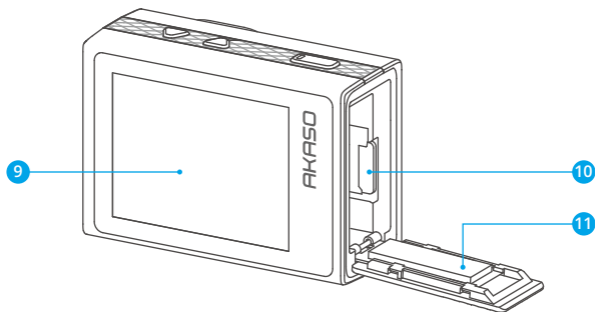
5 Bouton bas

6 Haut-parleur

7 Port USB / Port Mic externe

8 Port Micro HDMI

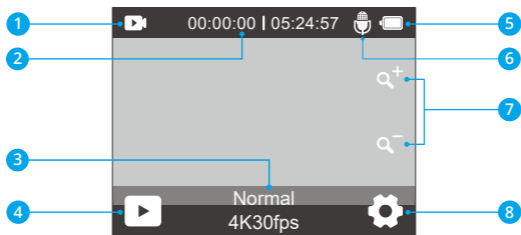




- 9 Écran Tactile
- 10 Emplacement Carte Mémoire
- 11 Couvercle de batterie

**Remarque:** L'appareil photo n'enregistre pas de son lorsqu'il se trouve dans l'étui étanche.

# Écran d'aperçu



- |   |                        |
|---|------------------------|
| 1 Mode                                      | 5 État de la batterie  |
| 2 Durée D'enregistrement / Photos Restantes | 6 Enregistrement Audio |
| 3 Mode de Prise de vue Actuel               | 7 Le Niveau de Zoom    |
| 4 Lecture                                   | 8 Réglages             |





# Commencer

Bienvenue dans votre AKASO Brave 6 Plus. Pour capturer des vidéos et des photos, vous aurez besoin d'une carte mémoire (vendue séparément).

## Carte mémoire

Veuillez utiliser des cartes mémoire de marque répondant à ces exigences:

- U3
- Capacité jusqu'à 128 GB

### Remarque:

- (1) Veuillez formater la carte mémoire dans cet appareil photo avant utilisation.  
Pour maintenir votre carte mémoire en bon état, reformatez-la régulièrement.  
Le reformatage efface tout son contenu, veuillez donc vous assurer de sauvegarder vos photos et vidéos avant de reformater.
- (2) La carte mémoire formatée en FAT32 arrête l'enregistrement lorsque la taille du fichier atteint 4 Go, puis recommence sur un nouveau fichier.
- (3) L'utilisation d'une carte mémoire d'une capacité supérieure à celle requise peut entraîner des complications telles que l'incapacité de reconnaître la carte. De plus, cela peut provoquer des dysfonctionnements de l'appareil photo, tels que son insensibilité ou une défaillance du micrologiciel.

## Allumer / Éteindre

### Pour allumer

Pour allumer l'appareil photo, appuyez sur le bouton d'alimentation et maintenez-le enfoncé pendant 3 secondes. Vous entendrez un bip et verrez le voyant d'état s'allumer. Une fois que des informations apparaissent à l'écran, vous saurez que votre appareil photo est allumé.

### Pour Éteindre

Pour éteindre l'appareil photo, appuyez sur le bouton d'alimentation et maintenez-le enfoncé pendant 3 secondes. Vous entendrez un bip et le voyant d'état s'éteindra.

## Changement de mode de prise de vue

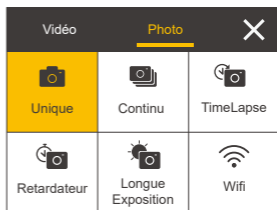
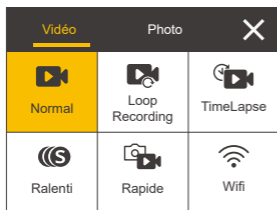
Pour changer de mode de prise de vue, accédez au menu des modes, puis



appuyez sur l'option "Vidéo" ou "Photo" pour accéder au menu du mode vidéo ou photo. Vous pourrez sélectionner le mode vidéo ou photo souhaité parmi les options disponibles. Dans le menu des modes, vous pouvez également appuyer sur les boutons Haut et Bas pour changer les modes.

### Accéder au menu des modes

Pour accéder au menu des modes, assurez-vous d'abord que l'appareil photo est sur l'écran de prévisualisation, puis appuyez sur l'icône du mode en bas de l'écran, ou appuyez sur le bouton d'alimentation. Pour quitter le menu des modes, il suffit d'appuyer sur l'icône "X" dans le coin supérieur droit.



### Activation et désactivation du Wifi

Pour activer le Wifi, allumez d'abord votre appareil photo, puis appuyez sur le bouton Wifi et maintenez-le enfoncé, ou appuyez sur l'icône du Wifi dans le menu des modes. Pour désactiver le Wifi, appuyez simplement à nouveau sur le bouton Wifi.

### Zoom avant ou arrière

Pour zoomer avant ou arrière, assurez-vous d'abord que l'appareil photo est sur l'écran de prévisualisation. Ensuite, appuyez sur le bouton "Haut" pour zoomer avant, et appuyez sur le bouton "Bas" pour zoomer arrière. Vous pouvez également appuyer sur les icônes "+" ou "-" pour zoomer avant ou arrière. Le Brave 6 Plus peut zoomer jusqu'à 8X

### Accès au mode de lecture

Pour accéder au mode de lecture, assurez-vous d'abord que l'appareil photo est sur l'écran de prévisualisation. Ensuite, appuyez sur le bouton "Bas" et

maintenez-le enfoncé, ou appuyez sur l'icône de lecture dans le coin inférieur gauche de l'écran.

## Accès au mode des paramètres

Pour accéder à l'écran des paramètres, assurez-vous d'abord que l'appareil photo est sur l'écran de prévisualisation. Ensuite, maintenez enfoncé le bouton Haut ou appuyez sur l'icône des paramètres dans le coin inférieur droit. Vous êtes maintenant libre de configurer respectivement les paramètres de photo, vidéo et système.

## Utiliser le bouton d'obturateur

En mode Photo ou Vidéo, appuyez sur le bouton d'obturateur pour prendre des photos ou commencer l'enregistrement vidéo. Pour arrêter l'enregistrement en mode Vidéo, appuyez à nouveau sur le bouton d'obturateur.

## Accéder à l'écran de lecture

Pour accéder à l'écran de lecture, assurez-vous d'abord que l'appareil photo est sur l'écran de prévisualisation. Ensuite, maintenez enfoncé le bouton Bas ou appuyez sur l'icône de lecture dans le coin inférieur gauche de l'écran. Vous pourrez alors accéder à la vidéo ou à la photo que vous souhaitez lire ou supprimer. Pour quitter l'écran de lecture, appuyez simplement sur l'icône Retour dans le coin supérieur droit.

## Indicateurs

### Indicateur de fonctionnement

L'indicateur de fonctionnement restera bleu lorsque la caméra est en marche. Il clignotera une fois pendant la prise de photos et continuera à clignoter pendant l'enregistrement de vidéos.

### Indicateur de charge

L'indicateur de charge restera rouge lorsque la caméra est en cours de chargement. Il s'éteindra lorsqu'elle sera complètement chargée.

### Indicateur Wifi

L'indicateur Wifi clignotera en bleu lorsque le Wifi est activé et restera allumé lorsqu'il est connecté.

# Aperçu des modes

Il y a 11 modes sur cette caméra : Normal, Loop Recording, Vidéo Time Lapse, Vidéo au Ralenti, Photo Fixe, Photo Unique, Photo Rafale, Photo Time Lapse, Retardateur, Longue Exposition et Wifi.

## Mode Vidéo Normal

La caméra est en mode vidéo par défaut lorsqu'elle est allumée.

En mode vidéo, lorsque vous appuyez sur le bouton d'obturateur, la caméra commence à enregistrer une vidéo. Pour arrêter l'enregistrement, appuyez simplement à nouveau sur le bouton d'obturateur. Vous pouvez appuyer sur les icônes "+" ou "-" pour ajuster le niveau de zoom.

## Mode Loop Recording

En mode Enregistrement en boucle, lorsque vous appuyez sur le bouton d'obturateur, la caméra enregistre une vidéo en boucle d'une durée définie.

## Mode Vidéo Time Lapse

En mode Vidéo accélérée, lorsque vous appuyez sur le bouton d'obturateur, la caméra enregistre des vidéos à 30 images par seconde en utilisant les images capturées à des intervalles spécifiques pour créer un effet de vidéo accélérée fluide et de haute qualité.

## Mode Vidéo au Ralenti

La caméra est capable d'enregistrer des vidéos avec une résolution et une vitesse spécifiques. Par exemple, si vous sélectionnez l'option 2,7K 2X pour capturer une vidéo d'une minute, la caméra générera une vidéo au ralenti de 2 minutes avec une résolution de 2,7K.

## Mode Photo Fixe

Dans ce mode, lorsque vous appuyez sur le bouton d'obturateur, la caméra capture une image fixe à l'intervalle défini pendant l'enregistrement vidéo. La photo est enregistrée dans le fichier photo.



## Mode Photo Unique

Dans ce mode, lorsque vous appuyez sur le bouton d'obturateur, la caméra prend une photo avec la résolution photo définie.

## Mode Photo Rafale

Dans ce mode, lorsque vous appuyez sur le bouton d'obturateur, la caméra capture en continu 3, 5 ou 10 photos par seconde.

## Mode Photo Time Lapse

Dans ce mode, lorsque vous appuyez sur le bouton d'obturateur, la caméra prend une série de photos à l'intervalle défini.

## Mode Retardateur

Dans ce mode, lorsque vous appuyez sur le bouton d'obturateur, la caméra commence à faire un compte à rebours, puis prend une photo après le décompte défini.

## Mode Longue Exposition

Dans ce mode de prise de vue, la caméra capture continuellement des photos à l'intervalle défini jusqu'à ce que le temps d'exposition soit terminé. Ce mode fonctionne parfaitement pour capturer des photos dans différentes conditions d'éclairage, y compris les environnements peu éclairés, les paramètres lumineux et même les scènes sous-marines.

## Mode Wifi

Lorsque le Wifi est activé, la caméra passe en mode Wifi et affiche les informations Wifi.

# Personnalisation de Votre Brave 6 Plus

## Paramètres vidéo

### 1. Résolution vidéo

4K 30fps / 2.7K 60fps / 2.7K 30fps / 1080P 120fps / 1080P 60fps / 1080P 30fps / 720P 240fps / 720P 120fps / 720P 60fps (Par défaut: 4K 30fps)

Cette caméra est capable d'enregistrer des vidéos jusqu'à une résolution de 4K30fps, avec une résolution plus élevée offrant une meilleure clarté et des détails grâce au nombre accru de pixels. Cependant, des vidéos de résolution plus élevée entraînent également des tailles de fichiers plus importantes.

**Remarque :** Lors de la capture de vidéos à des résolutions élevées ou à des fréquences d'images élevées par températures ambiantes chaudes, la caméra peut devenir chaude et utiliser plus de puissance.

### 2. Stabilisation de l'image

Arrêt / Marche (Par défaut : Arrêt)

La stabilisation électronique de l'image (EIS2.0) permet de réduire efficacement les tremblements de l'objectif, ce qui se traduit par des vidéos fluides et nettes. Cette fonction est idéale pour capturer des scènes impliquant des activités telles que le vélo, le skateboard et une utilisation à la main.

**Remarque:** La stabilisation de l'image sera désactivée lorsque vous réglez la fréquence d'images sur plus de 60fps. Elle sera également désactivée lorsque la calibration de la distorsion et l'inversion sont activées, ou lorsque la caméra est en modes Vidéo Time Lapse et Vidéo au ralenti.

### 3. Temps de loop

1 Minute / 3 Minutes / 5 Minutes / 10 Minutes (Par défaut : 1 Minute)

Cette option vous permet de définir la durée des vidéos enregistrées en mode enregistrement en boucle. Par exemple, si vous réglez la durée d'enregistrement en boucle sur "3 Minutes", la caméra enregistrera des vidéos toutes les 3 minutes. Lorsque la mémoire est pleine, les nouveaux fichiers vidéo écraseront les anciens pour assurer un enregistrement continu.

**Remarque:** La durée d'enregistrement en boucle fonctionne uniquement en mode Loop recording.



#### 4. Intervalle de temps

Arrêt / 1 Seconde / 2 Secondes / 5 Secondes / 10 Secondes / 30 Secondes / 1 Minuto (Par défaut: 1 Seconde)

Cette option vous permet de spécifier la fréquence à laquelle les images vidéo sont capturées et compilées. La caméra capturera une série de vidéos à l'intervalle défini, ce qui est idéal pour capturer des scènes dynamiques ou en évolution, telles que des nuages, des étoiles, des couchers de soleil, etc.

**Remarque:** Les vidéos en accéléré sont enregistrées sans audio. Cette option fonctionne uniquement en mode Vidéo Time Lapse.

#### 5. Ralenti

2,7K 2X / 1080P 4X / 1080P 2X / 720P 8X / 720P 4X / 720P 2X (Par défaut: 2,7K 2X)

Vous pouvez choisir la résolution et la vitesse avant de créer des vidéos en mode ralenti. Lorsque l'appareil photo est en mode ralenti, il enregistre la vidéo à la résolution sélectionnée, puis la lit à la vitesse choisie.

**Remarque:** Le mode ralenti fonctionne uniquement en mode ralenti.

#### 6. Temps photo fixe

3 Secondes / 5 Secondes / 10 Secondes / 30 Secondes (Par défaut: 3 Secondes)

Cette option vous permet de spécifier la fréquence à laquelle la photo est capturée pendant l'enregistrement vidéo.

**Remarque:** Cette option fonctionne uniquement en mode Photo fixe.

#### 7. Microphone

Intégré / Externe (Par défaut: Intégré)

Vous avez la possibilité de sélectionner un microphone intégré ou externe.

#### 8. Enregistrement Audio

Arrêt / Marche (Par défaut: Arrêt)

Lorsque l'enregistrement audio est désactivé, la caméra enregistrera des vidéos sans son. Vous pouvez choisir de l'activer ou de le désactiver.

**Remarque:** Cette option fonctionne uniquement en mode Vidéo et Loop recording.

## 9. Valeur Exposition

-2 / -1.7 / -1.3 / -1.0 / -0.7 / -0.3 / 0 / 0.3 / 0.7 / 1.0 / 1.3 / 1.7 / 2 (Par défaut: 0.0)

Par défaut, votre appareil photo utilise l'ensemble de l'image pour déterminer le niveau d'exposition approprié. Cependant, l'exposition vous permet de sélectionner une zone que vous souhaitez privilégier lorsque l'appareil photo détermine l'exposition. Ce réglage est particulièrement utile dans les prises de vue où une région importante pourrait être surexposée ou sous-exposée. L'appareil photo affichera les changements dans l'image dès que vous modifiez ce paramètre. Il reprendra l'utilisation de l'ensemble de l'image pour déterminer le niveau d'exposition approprié si vous changez de mode.

## 10. Mesure

Centre / Multi / Place (Par défaut: Multi)

Cette option vous permet de définir le mode de mesure pour différentes scènes. Vous pouvez choisir un mode de mesure souhaité en fonction de la scène.

# Paramètre Photo

## 1. Résolution Photo

20MP / 16MP / 12MP / 8MP (Par défaut: 20 MP)

Cet appareil photo est capable de capturer des photos de 20 MP, une résolution plus élevée offrant une meilleure clarté et un meilleur niveau de détail grâce au nombre accru de pixels. Cependant, une résolution plus élevée entraîne également des fichiers plus volumineux.

## 2. Format de sortie

JPEG/JPEG+DNG (Par défaut: JPEG)

Le format de sortie détermine les formats de sortie de la photo, y compris le JPEG et le JPEG+DNG. DNG signifie Digital Negative, un format d'image brut sans perte qui préserve les données d'image sans compression ni perte. Le choix du DNG entraîne des fichiers photo plus volumineux, mais garantit une qualité d'image



supérieure et une protection contre la perte de données.

**Remarque:** Cette option sera désactivée lorsque l'appareil photo est en mode Photo rafale.

### 3. Retardateur

1 Seconde / 3 Secondes / 5 Secondes / 10 Secondes / 30 Secondes (Par défaut: 1 Seconde)

Cette option vous permet de régler le temps de compte à rebours en mode retardateur. L'appareil photo prendra une photo après le décompte réglé.

**Remarque:** Cette option fonctionne uniquement en mode Retardateur.

### 4. Intervalle de temps

Arrêt / 3 Secondes / 5 Secondes / 10 Secondes / 30 Secondes / 1 Minute (Par défaut: 3 Secondes)

Cette option vous permet de spécifier la fréquence à laquelle les images sont capturées et compilées pour la photo accélérée. L'appareil photo prendra une série de photos à l'intervalle défini.

**Remarque:** Cette option fonctionne uniquement en mode Photo Time Lapse.

### 5. Photo Rafale

Arrêt / 3 Coups / 5 Coups / 10 Coups (Par défaut: 3 Coups)

Cette option vous permet de spécifier le nombre de photos qui seront prises consécutivement. Lorsque vous appuyez sur le bouton d'obturation, l'appareil photo capture en continu des photos en fonction de la quantité choisie.

**Remarque:** Cette option fonctionne uniquement en mode Photo rafale.

### 6. Exposition longue

Arrêt / 1 Seconde / 2 Secondes / 5 Secondes / 8 Secondes / 30 Secondes / 60 Secondes (Par défaut: 1 Seconde)

Cette option vous permet de régler le temps d'exposition en mode exposition

longue. L'appareil photo prendra des photos jusqu'à la fin de la durée définie.

**Remarque:** cette option ne fonctionne qu'en mode Longue exposition.

## 7. Valeur Exposition

-2 / -1.7 / -1.3 / -1.0 / -0.7 / -0.3 / 0 / 0.3 / 0.7 / 1.0 / 1.3 / 1.7 / 2 (Par défaut: 0.0)

Par défaut, votre appareil photo utilise l'ensemble de l'image pour déterminer le niveau d'exposition approprié. Cependant, l'exposition vous permet de sélectionner une zone que vous souhaitez privilégier lorsque l'appareil photo détermine l'exposition. Ce réglage est particulièrement utile dans les prises de vue où une région importante pourrait être surexposée ou sous-exposée. L'appareil photo affichera les changements dans l'image dès que vous modifiez ce paramètre. Il reprendra l'utilisation de l'ensemble de l'image pour déterminer le niveau d'exposition approprié si vous changez de mode.

## 8. ISO

Auto / 100 / 200 / 400 / 600 / 800 / 1600 / 3200 (Par défaut: Auto)

L'ISO détermine la sensibilité de l'appareil photo à la lumière et crée un compromis entre luminosité et bruit d'image résultant. Le bruit d'image fait référence au degré de granulation dans l'image. Dans des conditions de faible luminosité, des valeurs ISO plus élevées donnent des images plus lumineuses, mais avec un plus grand bruit d'image. Des valeurs plus basses donnent un bruit d'image inférieur, mais des images plus sombres.

## 9. Mesure

Centre / Multi / Place (Par défaut: Multi)

Cette option vous permet de régler le mode de mesure pour différentes scènes. Vous pouvez choisir un mode de mesure souhaité en fonction de la scène.

## 11. Qualité Photo

Haut / Moyen / Bas (Par défaut: Haut)

Cette option détermine le niveau de détail dans vos photos.

## Paramètres système

### 1. Sonores

**Obturateur:** Arrêt / Marche (Par défaut: Marche)

**Ton de démarrage:** Arrêt / Marche (Par défaut: Marche)

**Ton de touche:** Arrêt / Marche (Par défaut: Marche)

**Volume:** Vous pouvez activer ou désactiver le son des obturateur, le son de touches et le son de démarrage, ou ajuster le volume de la caméra.

### 2. Perspective

Super Large / Large / Moyen / Étroit (Par défaut: Super grand)

L'angle fait référence à la quantité de scène (exprimée en degrés) que l'objectif de la caméra peut capturer. L'angle super grand capture la plus grande partie de la scène, tandis que l'angle étroit capture la moins.

### 3. Contrôle vocal

Arrêt / Marche (Par défaut: Arrêt)

Lorsque le contrôle vocal est activé, vous pouvez ordonner à votre appareil photo d'effectuer des tâches simples en utilisant les commandes vocales prises en charge. Pour plus de détails sur les commandes vocales, veuillez appuyer sur l'option "Instructions".

#### Instructions :

AKASO vidéo début

AKASO Wifi Activer

AKASO Prendre photos

AKASO Arrêter vidéo

AKASO Couper Wifi

AKASO Eteindre

### 4. Calibration de distorsion

Arrêt / Marche (Par défaut: Arrêt)

Ce paramètre corrige l'effet de distorsion qui peut se produire dans les prises de vue grand angle, ce qui donne des images sans distorsion.

**Remarque:** Vous ne pouvez pas activer la calibration de distorsion lorsque la

stabilisation d'image est activée.

## 5. Balance du Blanc

Auto/ Incandescent / Fluorescent / Lumière du jour / Nuageux (Par défaut: Auto)

La balance des blancs capture les objets dans les photos avec une représentation précise des couleurs dans différentes conditions d'éclairage en ajustant la balance des blancs, ce qui la rend adaptée à une utilisation dans des environnements chauds et froids.

**Remarque:** Pour régler la balance des blancs, veuillez d'abord désactiver le mode Plongée et régler le filtre sur « Normale ».

## 6. Filtre

Normale / Noir & Blanc / Brun / Coloré / Chaud / Froid (Par défaut: Normale)

Ce réglage vous offre plusieurs options parmi lesquelles choisir. Avec différents filtres, vous pouvez capturer des images magnifiques.

**Remarque:** Pour régler le filtre, veuillez désactiver le mode plongée et définir la balance des blancs sur « Auto ».

## 7. Mode Plongée

Arrêt / Marche (Par défaut: Arrêt)

Le mode plongée compense le manque de lumière rouge dans les scènes sous-marines. Le mode plongée est conçu pour être utilisé dans les eaux tropicales et bleues, optimisé pour une utilisation entre 10 et 80 pieds.

**Remarque:** Pour activer le mode plongée, veuillez d'abord définir le filtre sur « Normale » et la balance des blancs sur « Auto ».

## 8. Mode d'inversion

Arrêt / Marche (Par défaut: Arrêt)

Ce réglage détermine l'orientation de vos vidéos ou photos pour vous aider à éviter les prises de vue à l'envers.

## 9. Mode de conduite

Arrêt / Marche (Par défaut: Arrêt)

Dans ce mode, la caméra enregistrera automatiquement une vidéo et sauvegardera le fichier vidéo lorsque vous la connecterez à l'allume-cigare et démarrerez votre moteur.

## 10. Arrêt Automatique

Arrêt / 1 Minute / 3 Minutes / 5 Minutes (Par défaut: 1 Minute)

La caméra s'éteindra automatiquement après une période d'inactivité afin d'économiser la batterie.

## 11. Écran de veille

Arrêt / 30 Secondes / 1 Minute / 3 Minutes / 5 Minutes (Par défaut: 3 minutes)

L'affichage s'éteindra automatiquement après une période d'inactivité pour économiser la batterie. Pour réactiver l'affichage, appuyez sur n'importe quel bouton de l'appareil photo.

## 12. Langue

Anglais / Deutsch / Français / Italiano / Español / Português / 日本語 / 한국어 / 简体中文 / 繁體中文 / Dutch/Polski/Российский (Par défaut: Anglais)

Vous pouvez choisir la langue du système pour votre caméra d'action Brave 6 Plus.

## 13. Date et heure

YY/MM/DD, MM/DD/YYYY, DD/MM/YYYY (Par défaut: MM/JJ/AA)

Dans ce paramètre, vous pouvez définir manuellement la date et l'heure de votre appareil photo.

## 14. Timbre à date

Arrêt / La Date / Date et heure (Par défaut: Arrêt)

Un filigrane sera ajouté à la vidéo ou à la photo en fonction de vos préférences. Par exemple, si vous choisissez l'option Date et heure, la date et l'heure actuelles seront apposées sur votre vidéo ou votre photo. Vous avez également la possibilité de désactiver cette fonction en sélectionnant l'option Arrêt.

## 15. Fréquence d'alim

60 Hz / 50 Hz (Par défaut: 60 Hz)

La fréquence secteur, également appelée fréquence de ligne ou fréquence du réseau, est la fréquence du courant alternatif (AC) utilisé dans la plupart des systèmes électriques du monde entier. Si vous résidez dans la région nord-est, veuillez régler la fréquence secteur sur 60 Hz, ce qui signifie que le courant change de direction 60 fois par seconde. Si vous résidez en dehors de cette zone, réglez-la sur 50 Hz.

## 16. Formatage

Oui / Non (Par défaut: Non)

Avant de capturer des images, vous devez effectuer le processus de formatage. Pour préserver la bonne condition de votre carte mémoire, nous vous recommandons de la reformater régulièrement. Le formatage efface tout le contenu, alors pensez à sauvegarder vos photos et vidéos au préalable.

## 17. Réinitialiser

Oui / Non (Par défaut: Non)

Cette option réinitialisera tous les paramètres aux valeurs par défaut.

## 18. À propos de

Marque: AKASO

Modèle: Brave 6 Plus

Version: SN-39-XXXXXX-VX

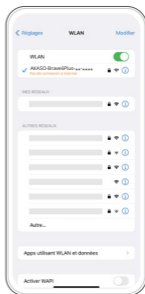
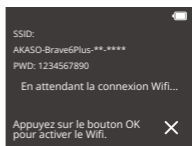
Cette option vous permet de vérifier la marque, le modèle et la version du micrologiciel de votre appareil photo.

## Connecter à l'application AKASO GO

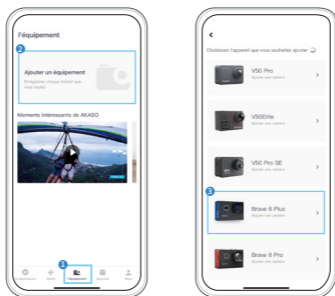
Vous pouvez contrôler votre caméra pour prendre des photos et des vidéos en utilisant l'application mobile. Pour cela, veuillez d'abord télécharger et installer l'application AKASO GO depuis l'App Store ou Google Play. Lorsque votre caméra est connectée à l'application, vous pouvez la contrôler pour capturer des images ou modifier les paramètres de la caméra. Vous pouvez également prévisualiser en direct, lire, télécharger et éditer des vidéos via cette application. Veuillez suivre les instructions ci-dessous pour connecter votre caméra à l'application.

1. Allumez l'appareil photo, puis appuyez et maintenez le bouton Wifi enfoncé ou touchez l'icône Wifi dans le menu de mode pour activer le Wifi. L'appareil photo passera en mode Wifi et affichera les informations Wifi.
2. Activez le Wifi sur votre téléphone pour accéder à la page des paramètres Wifi, repérez le nom du réseau Wifi (SSID) dans la liste et appuyez dessus, puis saisissez le mot de passe 1234567890 pour vous connecter.

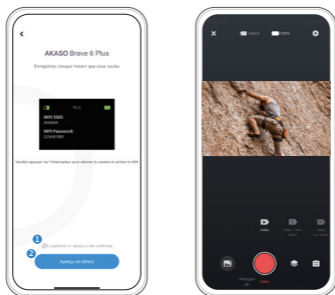
**Astuce:** Une fois que le Wifi de la caméra est connecté, vous recevrez un message « Pas de connexion Internet » ou « Sécurité faible » car le signal 4G de votre téléphone est bloqué. Vous pouvez l'ignorer et continuer la connexion avec l'application.



3. Ouvrez l'application AKASO GO, appuyez sur « l'équipement » → « Ajouter un équipement », puis choisissez « Brave 6 Plus » dans la liste pour la connexion.



4. Cochez « L'opération ci-dessus a été confirmée » et appuyez sur « Aperçu indirect » ». Votre caméra sera connectée à l'application AKASO GO.





## Lecture de votre contenu

Vous pouvez lire vos contenus enregistrés sur l'appareil photo, votre ordinateur, votre télévision ou votre smartphone. Pour lire vos vidéos et photos sur un ordinateur, vous devez d'abord transférer ces fichiers. Le transfert des fichiers libère également de l'espace dans la mémoire pour de nouveaux contenus. Avec cette méthode, la résolution de lecture dépend de la résolution de l'appareil et de sa capacité à lire cette résolution.

### Affichage des fichiers sur votre Brave 6 Plus

1. Allumez votre caméra d'action Brave 6 Plus.
2. Appuyez sur le bouton Bas ou touchez l'icône de lecture dans le coin inférieur gauche pour accéder à l'écran de lecture.
3. Touchez l'icône Vidéo ou Photo pour accéder à l'ensemble des vidéos ou des photos. Vous pourrez ainsi accéder à tous les fichiers vidéo ou photo.
4. Touchez le fichier que vous souhaitez visionner, et il se lancera.



# Suppression de vos contenus

## Supprimer des fichiers sur votre Brave 6 Plus

1. Accédez au mode Lecture.

**Remarque:** Si votre carte mémoire contient beaucoup de contenu, il peut falloir une minute pour le charger.

2. Touchez l'icône Vidéo ou Photo pour accéder à l'ensemble des vidéos ou des photos. Vous pourrez ainsi accéder à tous les fichiers vidéo ou photo.
3. Touchez le fichier que vous souhaitez supprimer, puis touchez l'icône Supprimer.
4. Le fichier sélectionné sera supprimé.
5. Pour quitter le mode Lecture, il vous suffit de toucher l'icône Retour.

## Suppression de fichiers sur l'application AKASO GO

1. Ouvrez l'application AKASO GO, puis connectez-vous à votre caméra.
2. Appuyez sur l'icône Album dans le coin inférieur gauche pour afficher toutes les vidéos et photos.
3. Appuyez sur la vidéo ou la photo que vous souhaitez supprimer, puis appuyez sur l'icône de suppression dans le coin supérieur droit, puis sur l'option "Supprimer". Le fichier choisi sera supprimé.



# Transférez Votre Contenu

## Transférez Votre Contenu sur un Ordinateur

Vous pouvez transférer vos contenus vers un ordinateur via un câble USB ou un lecteur de carte (vendu séparément). Pour transférer des fichiers vers votre ordinateur via un câble USB, connectez votre appareil photo à l'ordinateur à l'aide du câble USB. Lorsqu'on vous le demande, sélectionnez "Stockage USB" comme préférence de connexion. Pour transférer des fichiers vers l'ordinateur à l'aide d'un lecteur de carte, insérez la carte mémoire dans le lecteur de carte, puis connectez le lecteur à un port USB de votre ordinateur. Après une transmission réussie, vous pouvez transférer les fichiers vers votre ordinateur ou supprimer des fichiers sélectionnés à l'aide de l'Explorateur de fichiers.

## Téléchargement de votre contenu sur un smartphone

1. Ouvrez l'application AKASO GO, puis connectez votre caméra.
2. Appuyez sur l'icône Album dans le coin inférieur gauche pour voir les vidéos et les photos.
3. Appuyez sur l'icône Sélection située dans le coin supérieur droit. Une fois que vous avez sélectionné le fichier souhaité, appuyez également sur l'icône Télécharger positionnée dans le coin supérieur droit. Ensuite, appuyez sur l'option Télécharger. Attendez patiemment que le processus de téléchargement se termine et le fichier sera enregistré avec succès dans l'album photo de votre téléphone.

**Remarque:** Si vous ne pouvez pas télécharger de vidéos ou de photos sur votre iPhone via l'application, veuillez accéder à la page Paramètres de votre téléphone → Confidentialité → Photos, chercher "AKASO GO" et sélectionner "Toutes les photos".



## Entretenez Votre Caméra

Veillez suivre ces directives pour obtenir les meilleures performances de votre caméra:

1. Pour assurer une performance audio optimale, secouez légèrement la caméra ou soufflez dans les trous du microphone pour éliminer les débris.
2. Lorsque vous nettoyez l'objectif, utilisez un chiffon doux et sans peluches pour l'essuyer. Évitez d'insérer des objets étrangers près de l'objectif.
3. Évitez de toucher l'objectif avec vos doigts pour éviter les traces de doigts et les dommages potentiels.
4. Protégez la caméra contre les chutes et les impacts, car ils peuvent causer des dommages internes à ses composants.
5. Évitez d'exposer la caméra à des températures élevées et à la lumière directe du soleil, car cela peut entraîner des dommages potentiels.



## Maximisez la Durée de Vie de la Batterie

Si la batterie atteint 0% pendant l'enregistrement, la caméra enregistrera le fichier et s'éteindra. Pour maximiser la durée de vie de la batterie, suivez ces directives lorsque cela est possible:

- Désactivez la connexion Wifi.
- Capturez des vidéos à des taux de trame et des résolutions inférieurs.
- Utilisez le paramètre d'économiseur d'écran.



## Stockage et Manipulation de la Batterie

La caméra contient des composants sensibles, y compris la batterie. Évitez d'exposer votre appareil photo à des températures très froides ou très chaudes. Des conditions de température basses ou élevées peuvent temporairement réduire la durée de vie de la batterie ou empêcher temporairement l'appareil de fonctionner correctement. Évitez les changements spectaculaires de température ou d'humidité lorsque vous utilisez la caméra, car de la condensation peut se former sur ou à l'intérieur de la caméra.

- Ne séchez pas la caméra ou la batterie avec une source de chaleur externe telle qu'un four à micro-ondes ou un sèche-cheveux. Les dommages à la caméra ou à la batterie causés par le contact avec du liquide à l'intérieur de la caméra ne sont pas couverts par la garantie.
- Ne stockez pas votre batterie avec des objets métalliques, tels que des pièces de monnaie, des clés ou des colliers. Si les bornes de la batterie entrent en contact avec des objets métalliques, cela peut provoquer un incendie.
- N'apportez aucune modification non autorisée à la caméra. Cela pourrait compromettre la sécurité, la conformité réglementaire, les performances et annuler la garantie.

### **AVERTISSEMENT:**

Ne laissez pas tomber, ne démontez pas, n'ouvrez pas, n'écrasez pas, ne pliez pas, ne déformez pas, ne percez pas, ne déchiquetez pas, n'utilisez pas de micro-ondes, n'incinerez pas ou ne peignez pas la caméra ou la batterie.

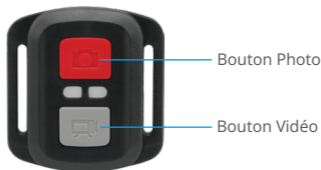
N'insérez pas d'objets étrangers dans l'ouverture de la batterie de la caméra.

N'utilisez pas l'appareil photo ou la batterie s'ils ont été endommagés - par exemple, s'ils sont fissurés, percés ou endommagés par l'eau. Le démontage ou la perforation de la batterie peut provoquer une explosion ou un incendie.



# Télécommande

Lorsque la caméra est allumée, elle se connectera automatiquement à la télécommande. Vous pouvez contrôler la caméra pour prendre des photos ou enregistrer des vidéos à l'aide de la télécommande.



Étanche aux éclaboussures uniquement, pas étanche

## Vidéo

Pour enregistrer une vidéo, assurez-vous d'abord que l'appareil photo est en mode Vidéo.

Pour commencer l'enregistrement, appuyez simplement sur le bouton vidéo gris. L'appareil photo émettra un bip et le témoin lumineux de fonctionnement clignotera.

Pour arrêter l'enregistrement, appuyez simplement à nouveau sur le bouton vidéo gris. L'appareil photo émettra un bip et le témoin lumineux de fonctionnement s'éteindra.

## Photo

Pour prendre une photo, assurez-vous d'abord que l'appareil photo est en mode Photo, puis appuyez sur le bouton Photo. L'appareil photo émettra un son de déclenchement pour indiquer la prise de vue.



## Photo rafale

Pour prendre des photos en rafale, vérifiez d'abord que l'appareil photo est en mode Photo en rafale, puis appuyez sur le bouton Photo. L'appareil photo émettra un son de déclenchement pour indiquer la prise de vue.

## Time Lapse

Pour capturer des photos ou des vidéos en accéléré, vérifiez d'abord que l'appareil photo est en mode Accéléré, puis appuyez sur le bouton Photo ou Vidéo. L'appareil photo émettra un son de déclenchement pour indiquer la prise de vue.

## Remplacement de la Pile CR2032 Pour la Télécommande Brave 6 Plus

(1) Utilisez un tournevis de type Phillips 1.8mm pour retirer les 4 vis au dos du couvercle de la télécommande, vous permettant ainsi de l'ouvrir.



(2) Retirez 4 vis supplémentaires sur la carte PCB.





(3) Soulevez la carte PCB, faites coulisser la batterie à l'extérieur, comme montré sur l'image.

**Remarque:** Ne PAS faites pivoter la carte PCB afin d'éviter de renverser les fonctions des boutons caméra et vidéo.



(4) Installez la nouvelle batterie, en gardant le pôle "+" tourné vers le haut.

(5) Réinstallez toutes les 4 vis dans la carte PCB.

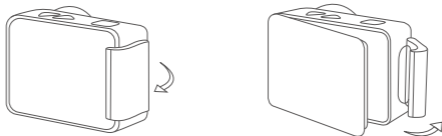


(6) Réinstallez toutes les 4 vis dans le couvercle.

# Montage de Votre Caméra

Attachez votre caméra aux casques, équipements et équipements.

Ouvert



Proche



**Remarque:** Poussez et assurez-vous qu'il n'y a pas d'espace entre les bandes étanches du boîtier étanche.







## Contactez-Nous

✉ [cs@akasotech.com](mailto:cs@akasotech.com)    🌐 [www.akasotech.com](http://www.akasotech.com)

Pour toute demande concernant les produits AKASO, n'hésitez pas à nous contacter, nous vous répondrons dans les 24 heures.



AKASO

# BRAVE 6 PLUS

A C T I O N   C A M E R A



MANUALE UTENTE

V39



# Contenuti

Cosa c'è nella scatola	01	>>
Il tuo Brave 6 Plus	02	>>
Schermata di anteprima	04	>>
Iniziare	05	>>
Panoramica delle modalità	08	>>
Personalizzazione del tuo Brave 6 Plus	10	>>
Connessione all'App AKASO GO	19	>>
Riproduzione dei tuoi contenuti	21	>>
Eliminazione dei tuoi contenuti	22	>>
Trasferimento dei tuoi contenuti	23	>>
Manutenzione Della Fotocamera	24	>>
Massimizzare la Durata Della Batteria	25	>>
Conservazione e Gestione Della Batteria	26	>>
Telecomando	27	>>
Montare Il tuo Fotocamera	30	>>
Contattaci	33	>>

# Cosa c'è nella scatola



Brave 6 Plus  
x1



Custodia  
Impermeabile x1



Caricabatterie  
x1



Batterie  
x2



Cavo USB  
x1



Telecomando  
x1



Cinghia del  
Telecomando x1



Backdoor  
Protettivo x1



Clip 1  
x1



Clip 2  
x1



Supporto a Sgancio  
x1



J-Gancio Mount  
x1



A Mount  
x1



C Mount  
x1



D Mount  
x1



F Mount  
x1



E Mount  
x1



H Mount  
x1



Chiave Inglese  
x1



Casco Mount  
x2



Bende  
x4



Pastoie  
x5



Panno per Lenti  
x1



Nastro Adesivo  
Biadesivo x2

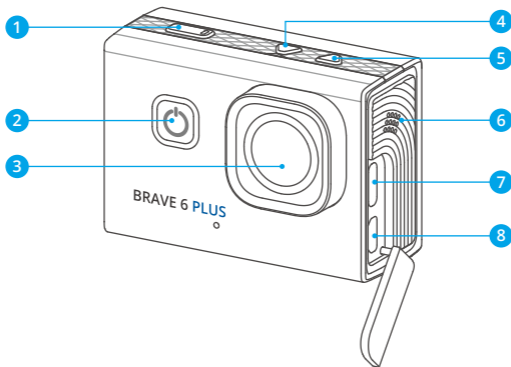


Guida Rapida  
x1





## Il tuo Brave 6 Plus



1 Pulsante otturatore /Wifi/OK

2 Pulsante di accensione /modalità /uscita

3 Lente

4 Pulsante Su

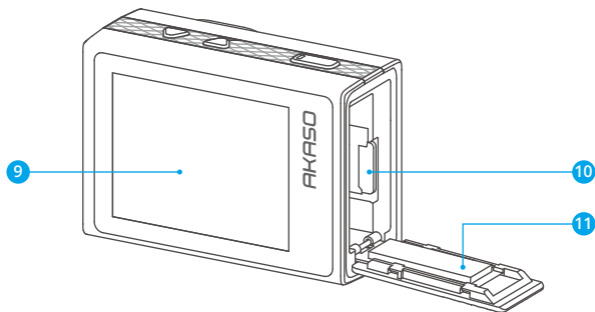
5 Pulsante Giù

6 Itoparlante

7 Porta USB /Porta Mic Esterno

8 Porta Micro HDMI

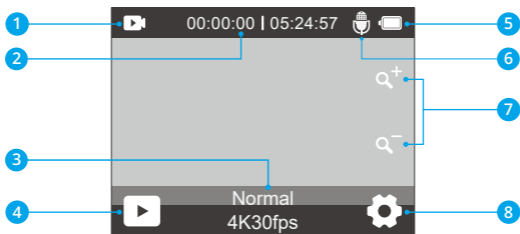




- 9 Schermo Tattile
- 10 Slot Scheda Memoria
- 11 Sportello Batteria

**Nota:** La fotocamera non registra il suono quando è nella custodia impermeabile.

## Schermata di anteprima



- |   |                        |
|---|------------------------|
| 1 Modalità                                | 5 Stato della Batteria |
| 2 Tempo di registrazione / Foto Rimanenti | 6 Registrazione Audio  |
| 3 Riproduzione                            | 7 Livello di Zoom      |
| 4 Modalità di Scatto Attuale              | 8 Impostazioni         |



# Iniziare

Benvenuto alla tua action camera AKASO Brave 6 Plus. Per catturare video e foto, avrai bisogno di una scheda di memoria (venduta separatamente).

## Utilizzo della scheda di memoria

Si prega di utilizzare schede di memoria di marche conosciute che soddisfino questi requisiti:

- U3
- Capacità fino a 128GB

### Nota:

- (1) Si prega di formattare la scheda di memoria per prima cosa in questa fotocamera prima dell'uso. Per mantenere la tua scheda di memoria in buone condizioni, formattala regolarmente. La formattazione cancella tutto il contenuto, quindi assicurati di trasferire le tue foto e video altrove prima di formattarla.
- (2) Le schede di memoria formattate in formato FAT32 interrompono la registrazione quando la dimensione del file raggiunge i 4 GB e riprendono la registrazione su un nuovo file.
- (3) L'utilizzo di una scheda di memoria con capacità superiore a quella richiesta può causare complicazioni come problemi di riconoscimento della scheda. Inoltre, potrebbe causare malfunzionamenti della fotocamera, inclusa l'assenza di risposta o un errore del firmware.

## Accensione e Spegnimento

### Accensione

Per accendere la fotocamera, premi e mantieni premuto il pulsante di accensione per 3 secondi. Sentirai un segnale acustico e vedrai la luce di stato accendersi. Una volta che le informazioni appaiono sullo schermo, saprai che la tua fotocamera è accesa.

### Spegnimento

Per spegnere la fotocamera, premi e mantieni premuto il pulsante di accensione per 3 secondi. Sentirai un segnale acustico e la luce di stato si spegnerà.



## Cambiare modalità di scatto

Per cambiare modalità di scatto, accedi al menu delle modalità, quindi tocca l'opzione "Video" o "Foto" per accedere al menu della modalità video o foto. Sarai in grado di selezionare la modalità video o foto desiderata dalle opzioni disponibili. Nel menu delle modalità, puoi anche premere il pulsante Su o Giù per passare tra le modalità.

## Accedere al menu delle modalità

Per accedere al menu delle modalità, assicurati prima che la fotocamera sia nella schermata di anteprima, quindi tocca l'icona della modalità in basso dello schermo o premi il pulsante di accensione.

Per uscire dal menu delle modalità, tocca semplicemente l'icona "X" nell'angolo in alto a destra.



## Attivazione e disattivazione del Wifi

Per attivare il Wifi, accendi prima la fotocamera, quindi premi e mantieni premuto il pulsante Wifi oppure tocca l'icona Wifi nel menu delle modalità. Per disattivare il Wifi, premi semplicemente di nuovo il pulsante Wifi.

## Zoom avanti o indietro

Per zoomare avanti o indietro, assicurati prima che la fotocamera sia nella schermata di anteprima. Quindi, premi il pulsante Su per ingrandire e il pulsante Giù per ridurre lo zoom. Puoi anche toccare l'icona "+" o "-" per ingrandire o ridurre lo zoom. Il Brave 6 Plus può zoomare fino a 8X.

## Accedere alla schermata delle impostazioni

Per accedere alla schermata delle impostazioni, assicurati prima che la fotocamera sia nella schermata di anteprima. Quindi, premi e tieni premuto il pulsante Su o tocca l'icona delle impostazioni nell'angolo in basso a destra. Ora sei libero di configurare le impostazioni delle foto, dei video e del sistema rispettivamente.

## Utilizzare il pulsante di scatto

In modalità Foto o Video, premi il pulsante di scatto per scattare foto o avviare la registrazione video. Per interrompere la registrazione in modalità Video, premi nuovamente il pulsante di scatto.

## Accedere alla schermata di riproduzione

Per accedere alla schermata di riproduzione, assicurati prima che la fotocamera sia nella schermata di anteprima. Quindi, premi e tieni premuto il pulsante Giù o tocca l'icona di riproduzione nell'angolo in basso a sinistra dello schermo. Potrai accedere ai video o alle foto da riprodurre o eliminare. Per uscire dalla schermata di riproduzione, basta toccare l'icona Indietro nell'angolo in alto a destra.

## Indicatori

### Indicatore di funzionamento

L'indicatore di funzionamento rimarrà blu quando la fotocamera è in funzione. Lampeggerà una volta durante la fase di scatto delle foto e rimarrà lampeggiante durante la registrazione dei video.

### Indicatore di ricarica

L'indicatore di ricarica rimarrà rosso quando la fotocamera è in fase di ricarica. Si spegnerà quando completamente carica.

### Indicatore Wifi

L'indicatore Wifi lampeggerà blu quando il Wifi è attivo e rimarrà acceso quando il Wifi è connesso.

# Panoramica delle modalità

Questa fotocamera dispone di 11 modalità: Video normale, Registrazione Loop, Video Time Lapse, Video Rallentato, Foto Fissa, Foto Singolo, Foto Burst, Foto Time Lapse, Autoscatto, Lunga Esposizione e Wifi.

## Modalità Video Normale

La fotocamera è in modalità video di default quando viene accesa.

In modalità video, premendo il pulsante di scatto, la fotocamera inizia a registrare un video. Per interrompere la registrazione, basta premere nuovamente il pulsante di scatto. Puoi toccare l'icona "+" o "-" per regolare il livello dello zoom.

## Modalità Registrazione Loop

In modalità Loop Record, premendo il pulsante di scatto, la fotocamera registra un video a loop della durata impostata.

## Modalità Video Time Lapse

In modalità Time Lapse Video, premendo il pulsante di scatto, la fotocamera registra video a 30 fotogrammi al secondo, utilizzando immagini catturate a intervalli specifici per creare un effetto time-lapse continuo e di alta qualità.

## Modalità Video Rallentato

La fotocamera è in grado di registrare video alla risoluzione e velocità specificate. Ad esempio, se selezioni l'opzione 2.7K 2X per registrare un video della durata di un minuto, la fotocamera genererà un video slow-motion di 2 minuti alla risoluzione 2.7K.

## Modalità Foto Fissa

In questa modalità, premendo il pulsante di scatto, la fotocamera acquisisce un'immagine fissa all'intervallo impostato durante la registrazione video. La foto verrà salvata nel file delle foto.



### **Modalità Singola foto**

In questa modalità, premendo il pulsante di scatto, la fotocamera scatta una foto alla risoluzione impostata per le foto. Modalità Foto Burst In questa modalità, premendo il pulsante di scatto, la fotocamera catturerà continuamente 3, 5 o 10 foto al secondo.

### **Modalità Foto Burst**

In questa modalità, premendo il pulsante di scatto, la fotocamera catturerà continuamente 3, 5 o 10 foto al secondo.

### **Modalità Foto Time Lapse**

In questa modalità, premendo il pulsante di scatto, la fotocamera scatta una serie di foto all'intervallo impostato.

### **Modalità Autoscatto**

In questa modalità, premendo il pulsante di scatto, la fotocamera inizia a fare un conto alla rovescia, quindi scatta una foto dopo il conto alla rovescia impostato.

### **Modalità Lunga Esposizione**

In questa modalità di ripresa, la fotocamera catturerà continuamente foto all'intervallo impostato fino alla fine del tempo di esposizione. Questa modalità funziona perfettamente per catturare foto in diverse condizioni di illuminazione, inclusi ambienti con scarsa luce, ambienti luminosi e persino scene subacquee.

### **Modalità Wifi**

Quando il Wifi è attivato, la fotocamera entra in modalità Wifi e mostra le informazioni relative al Wifi.



# Personalizzazione del tuo Brave 6 Plus

## Impostazioni video

### 1. Risoluzione Video

4K 30fps, 2.7K 60fps, 2.7K 30fps, 1080P 120fps, 1080P 60fps, 1080P 30fps, 720P 240fps, 720P 120fps, 720P 60fps (Per default: 4K 30fps)

Questa fotocamera è in grado di registrare video fino a 4K30fps, con una maggiore risoluzione che offre una maggiore chiarezza e dettaglio grazie all'aumento del numero di pixel. Tuttavia, i video ad alta risoluzione occupano anche spazio di archiviazione maggiore.

**Nota:** Quando si registra video ad alte risoluzioni o frequenze di frame elevate in ambienti caldi, la fotocamera potrebbe riscaldarsi e consumare più energia.

### 2. Stabilizzazione dell'immagine

Spento/Aperto (Per default: Spento)

La stabilizzazione dell'immagine elettronica (EIS2.0) può ridurre efficacemente le vibrazioni dell'obiettivo, ottenendo video fluidi e nitidi. Questa funzione è ideale per catturare scene che coinvolgono attività come cavalcare, pattinare e utilizzare la fotocamera a mano.

**Nota:** La stabilizzazione dell'immagine verrà disattivata quando si imposta la frequenza dei frame su più di 60fps. Verrà anche disattivata quando sono abilitate le impostazioni di calibrazione della distorsione e girato al contrario, o quando la fotocamera è in modalità Video Time Lapse e Video Rallentatore.

### 3. Tempo di loop

1 Minuto/3 Minuti/5 Minuti (Per default: 3 Minuti)

Questa opzione ti consente di impostare la durata dei video registrati in modalità Loop Record. Ad esempio, se imposti la durata della registrazione in loop su "3 Minuti", la fotocamera salverà video ogni 3 minuti. Quando la memoria è piena, i



nuovi file video sovrascriveranno i vecchi per garantire una registrazione continua.

**Nota:** La durata della registrazione in loop funziona solo in modalità Registrazione Loop.

#### 4. Intervallo di tempo

Spento/1 Secondo/2 Secondi/5 Secondi/10 Secondi/30 Secondi (Per default: 1 Secondo)

Questa opzione ti permette di specificare la frequenza con cui vengono catturati e compilati i fotogrammi dei video. La fotocamera catturerà una serie di video all'intervallo impostato, rendendola ideale per la cattura di scene dinamiche o in evoluzione, come nuvole, stelle, tramonti e altro ancora.

**Nota:** I video in time lapse vengono registrati senza audio. Questa opzione funziona solo in modalità Video Time Lapse.

#### 5. Rallentatore

2.7K 2X/1080P 4X/1080P 2X/720P 8X/720P 4X/720P 2X (Per default: 2.7K 2X)

In questa modalità, la fotocamera registrerà video alla risoluzione impostata. Le riprese video sembreranno essere rallentate.

**Nota:** Questa opzione è disponibile solo in modalità Video Rallentatore. Sarà anche disattivata quando viene attivata la stabilizzazione dell'immagine.

#### 6. Tempo di foto fissa

3 Secondi/5 Secondi/10 Secondi/30 Secondi (Per default: 3 Secondi)

Questa opzione consente di specificare la frequenza di acquisizione delle foto durante la registrazione video.

**Nota:** questa opzione funziona solo in modalità Foto fissa.

#### 7. Microfono

Incorporato/Esterno (Per default: Incorporato)

Hai la possibilità di selezionare un microfono incorporato o uno esterno.

## 8. Registrazione

AudioSpento/Aperto (Per default: Aperto)

Quando la registrazione audio è disattivata, la fotocamera registrerà video senza audio. Puoi scegliere di attivarla o disattivarla.

**Nota:** Questa opzione funziona solo nelle modalità Video e Registrazione Loop.

## 9. Valore esposizione

-2 / -1.7 / -1.3 / -1.0 / -0.7 / -0.3 / 0 / 0.3 / 0.7 / 1.0 / 1.3 / 1.7 / 2 (Per default: 0.0)

Di default, la tua fotocamera utilizza l'intera immagine per determinare il livello di esposizione appropriato. Tuttavia, con Esposizione puoi selezionare un'area che desideri prioritizzare quando si tratta di determinare l'esposizione. Questa impostazione è particolarmente utile in scatti in cui una regione importante potrebbe altrimenti essere sovraesposta o sottosviluppata. La fotocamera mostrerà i cambiamenti nell'immagine istantaneamente non appena modifichi l'impostazione. Riprenderà a utilizzare l'intera immagine per determinare il livello di esposizione appropriato se passi a una modalità diversa.

## 10. Misurazione

Centro/Multi/Individuare (Per default: Multi)

Questa opzione ti consente di impostare la modalità di misurazione per diverse scene. Puoi scegliere una modalità di misurazione desiderata in base alla scena.

# Impostazioni Foto

## 1. Risoluzione Foto

20MP/16MP/12MP/8MP (Per default: 20MP)

Questa fotocamera è in grado di catturare foto da 20MP, con una risoluzione più alta che offre maggiore chiarezza e dettaglio grazie al numero aumentato di pixel. Tuttavia, una foto ad alta risoluzione comporta anche dimensioni di file più grandi.

## 2. Formato di Uscita

JPEG/JPEG+DNG (Per default: JPEG)

Il formato di output decide il formato di uscita della foto, tra cui JPEG e JPEG+DNG. DNG sta per Digital Negative, un formato immagine raw senza perdite che preserva i dati dell'immagine senza compressione o perdita. La scelta del DNG comporta dimensioni di file fotografico più grandi, ma garantisce una qualità dell'immagine superiore e protezione contro la perdita dei dati.

**Nota:** Questa opzione sarà disabilitata quando la fotocamera è in modalità Burst Photo (scatto continuo).

## 3. Autoscatto

Spento/1 Secondo/3 Secondi/5 Secondi/10 Secondi/30 Secondi (Per default: 1 Secondo)

Questa opzione ti consente di impostare il tempo di attesa nella modalità autoscatto. La fotocamera scatta una foto dopo il tempo di attesa impostato.

**Nota:** Questa opzione funziona solo nella modalità Autoscatto.

## 4. Intervallo di tempo

Spento/3 Secondi/5 Secondi/10 Secondi/30 Secondi/1 Minuto (Per default: 3 Secondi) Questa opzione ti consente di specificare la frequenza con cui vengono catturati e compilati i fotogrammi delle foto in modalità Time Lapse. La fotocamera catturerà una serie di foto all'intervallo impostato.

**Nota:** Questa opzione funziona solo nella modalità Foto Time Lapse.

## 5. Foto Burst

3 Sparo/5 Sparo/10 Sparo/15 Sparo (Per default: 3 Sparo)

Questa opzione ti consente di specificare il numero di foto che verranno scattate consecutivamente. Quando premi il pulsante di scatto, la fotocamera catturerà continuamente foto in base alla quantità scelta.

**Nota:** Questa opzione funziona solo nella modalità Foto Burst.

## 6. Lunga Esposizione

1 Secondo/2 Secondi/5 Secondi/8 Secondi/30 Secondi/60 Secondi (Per default: 1 Secondo)

Questa opzione ti aiuta a impostare il tempo di esposizione in modalità Lunga esposizione. La fotocamera scatterà foto fino allo scadere del tempo impostato.

Nota: Questa opzione funziona solo in modalità Lunga esposizione.

## 7. Valore esposizione

-2 / -1.7 / -1.3 / -1.0 / -0.7 / -0.3 / 0 / 0.3 / 0.7 / 1.0 / 1.3 / 1.7 / 2 (Per default: 0.0)

Di default, la tua fotocamera utilizza l'intera immagine per determinare il livello di esposizione appropriato. Tuttavia, con Esposizione puoi selezionare un'area che desideri prioritizzare quando si tratta di determinare l'esposizione. Questa impostazione è particolarmente utile in scatti in cui una regione importante potrebbe altrimenti essere sovraesposta o sottosviluppata. La fotocamera mostrerà i cambiamenti nell'immagine istantaneamente non appena modifichi l'impostazione. Riprenderà a utilizzare l'intera immagine per determinare il livello di esposizione appropriato se passi a una modalità diversa.

## 8. ISO

L'ISO determina la sensibilità della fotocamera alla luce e crea un compromesso tra luminosità e rumore dell'immagine risultante. Il rumore dell'immagine si riferisce al grado di granulosità nell'immagine. In condizioni di scarsa illuminazione, valori ISO più alti producono immagini più luminose, ma con maggiore rumore dell'immagine. Valori più bassi riducono il rumore dell'immagine, ma creano immagini più scure.

## 9. Misurazione

Centro/Multi/Individuare (Per default: Multi)

Questa opzione ti consente di impostare la modalità di misurazione per diverse scene. Puoi scegliere una modalità di misurazione desiderata in base alla scena.

## 10. Qualità

FotoAlto/Medio/Basso (Per default: Alto)

Questa opzione determina il livello di dettaglio nelle tue foto.

## Impostazioni di sistema

### 1. Audio

**Tono Chiave:** Spento/Aperto (Per default: Aperto)

**Touch Tone:** Spento/Aperto (Per default: Aperto)

**Suoneria avvio:** Spento/Aperto (Per default: Aperto)

**Volume:** Puoi attivare o disattivare la suoneria dei chiave, la suoneria del touch e la suoneria d'avvio o regolare il volume della fotocamera.

### 2. Angolo

Super Wide/Largo/Medio/Stretto (Per default: Super Wide)

L'angolo si riferisce a quanto della scena (misurato in gradi) può essere catturato dall'obiettivo della fotocamera. L'angolo super grandangolare cattura la maggiore quantità di scena, mentre l'angolo stretto ne cattura la minima.

### 3. Controllo

VocaleSpento/Aperto (Per default: Spento)

Quando il Controllo Vocale è abilitato, puoi impartire ordini alla tua fotocamera per eseguire semplici compiti utilizzando i comandi vocali supportati. Per ulteriori dettagli sui comandi vocali, tocca l'opzione "Istruzioni".

**Istruzioni:** AKASO Video Avvia    AKASO Attiva Wifi    AKASO Scatta la Foto  
AKASO Arresta Video    AKASO Disattiva Wifi    AKASO Spento

### 4. Calibrazione distorsione

Spento/Aperto (Per default: Spento)

Questa impostazione corregge l'effetto occhio di pesce che può verificarsi negli

scatti grandangolari, ottenendo immagini prive di distorsioni.

**Nota:** Non puoi abilitare la Calibrazione distorsione quando la Stabilizzazione dell'immagine è attivata.

## 5. Equilibrio Bianco

Auto/Tungsteno/Fluorescente/Luce diurna/Nuvoloso (Per default: Auto)

Il bilanciamento del bianco cattura gli oggetti nelle foto con una rappresentazione accurata dei colori in diverse condizioni di illuminazione, regolando il bilanciamento del bianco e rendendolo adatto all'uso sia in ambienti caldi che freddi.

**Nota:** Per impostare il Equilibrio Bianco, disattiva prima la Modalità Immersione e imposta il Filtro su "Normale".

## 6. Filtro

Normale/Bianco e nero/Marrone/Colorato/Caldo/Freddo (Per default: Normale)

Questa impostazione offre molteplici opzioni tra cui scegliere. Con diversi filtri, puoi realizzare riprese mozzafiato.

**Nota:** Per impostare il filtro, spegni la Modalità Immersione e imposta il Equilibrio Bianco su "Auto".

## 7. Modalità Immersione

Spento/Aperto (Per default: Spento)

La Modalità Subacquea può compensare la mancanza di luce rossa nelle scene subacquee. La Modalità Subacquea è progettata per essere utilizzata in acque tropicali e blu, ottimizzata per una profondità compresa tra 10 e 80 piedi.

**Nota:** Per attivare la Modalità Immersione, imposta prima il Filtro su "Normale" e il Equilibrio Bianco su "Auto".

## 8. Capovolto

Spento/Aperto (Per default: Spento)

Questa impostazione determina l'orientamento del tuo video o delle tue foto per aiutarti a evitare riprese capovolte.

**Nota:** L'interfaccia utente sarà capovolta quando abiliterai questa impostazione. Non puoi attivare Capovolto quando la Stabilizzazione dell'Immagine è attivata.

## 9. Modalità di Guida

Spento/Aperto (Per default: Spento)

In questa modalità, la fotocamera registrerà automaticamente video e salverà il file video quando la colleghi all'accendisigari e avvii il motore della tua auto.

## 10. Auto Spegnimento

Spento/1 Minuto/3 Minuti/5 Minuti (Per default: 1 Minuto)

La fotocamera si spegnerà automaticamente dopo un periodo di inattività per risparmiare energia della batteria.

## 11. Salvascermo

Spento/30 Secondi/1 Minuto/3 Minuti (Per default: 3 Minuti)

Il display si spegnerà automaticamente dopo un periodo di inattività per risparmiare energia della batteria. Per riaccendere il display, premi qualsiasi pulsante sulla fotocamera.

## 12. Language

English/Deutsch/Français/Italiano/Español/Português/日本語/Koeran/简体中文/繁體中文/Российский (Per default: English)

Puoi scegliere la lingua di sistema per la tua action camera Brave 6 Plus.

## 13. Data e Ora

YYY/MM/DD, MM/DD/YYYY, DD/MM/YYYY (Per default: MM/DD/YY)

In questa impostazione, puoi impostare manualmente la data e l'ora per la tua fotocamera.

## 14. Timbro Data

Spento/Data/Data e Ora (Per default: Spento)

Verrà aggiunto un watermark al video o alla foto in base alle tue preferenze. Ad esempio, se scegli l'opzione Data e Ora, verrà apposta la data e l'ora corrente sul tuo video o sulla tua foto. In alternativa, hai la possibilità di disabilitare questa funzione selezionando l'opzione Spento.



## 15. Potenza Frequenza

60 Hz/50 Hz (Per default: 60 Hz)

La frequenza di alimentazione è nota anche come frequenza di linea o frequenza di rete ed è la frequenza della corrente alternata (AC) utilizzata nella maggior parte dei sistemi di alimentazione elettrica in tutto il mondo. Se vivi nell'area nordorientale, imposta la frequenza di alimentazione su 60 Hz, il che significa che la corrente cambia direzione 60 volte al secondo. Se vivi al di fuori di questa area, imposta la frequenza su 50 Hz.

## 16. Formato

Sì/No (Per default: No)

Prima di catturare, è necessario completare il processo di formattazione. Per mantenere la tua scheda di memoria in buone condizioni, ti consigliamo di formattarla regolarmente. La formattazione cancella tutti i contenuti, quindi assicurati di trasferire prima le tue foto e video.

## 17. Resettare

Sì/No (Per default: No)

Questa opzione ripristinerà tutte le impostazioni ai valori predefiniti.

Circa

**Marchio:** AKASO

**Modello:** Brave 6 Plus

**Versione:** SN-39-XXXXXX-VX

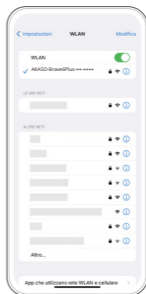
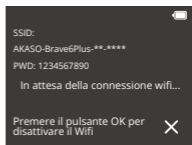
Questa opzione consente di verificare la marca, il modello e la versione del firmware della fotocamera.

# Connessione all'App AKASO GO

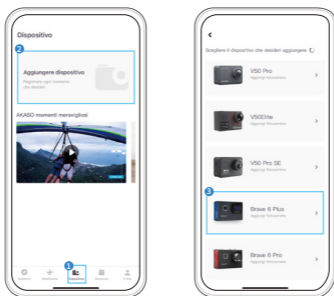
Puoi controllare la tua fotocamera per scattare foto e video utilizzando l'app sul tuo telefono. Per fare ciò, scarica e installa prima l'app AKASO GO su App Store o Google Play. Quando la tua fotocamera è collegata all'app, puoi controllarla per scattare foto o modificare le impostazioni della fotocamera. Puoi anche visualizzare in anteprima dal vivo, riprodurre, scaricare e modificare i video tramite questa app. Segui le istruzioni di seguito per collegare la tua fotocamera all'app.

1. Accendi la fotocamera, quindi premi e mantieni premuto il pulsante Wifi o tocca l'icona Wifi nel menu modalità per attivare il Wifi. La fotocamera entrerà in modalità Wifi e visualizzerà le informazioni sul Wifi.
2. Accendi il Wifi del tuo telefono per accedere alla pagina delle impostazioni Wifi, trova l'SSID Wifi nell'elenco e toccalo, quindi inserisci la password 1234567890 per la connessione.

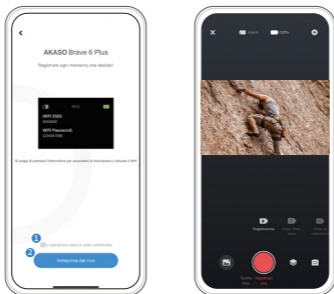
**Suggerimento:** Una volta che il Wifi della fotocamera è connesso, riceverai un avviso "Nessuna connessione a Internet" o "Sicurezza debole" poiché il segnale 4G del tuo telefono è bloccato. Puoi ignorarlo e continuare la connessione dell'app.



3. Apri l'app AKASO GO, tocca "Dispositivo" → "Aggiungi dispositivo", quindi scegli "Brave 6 Plus" dall'elenco per connetterti.



4. Fare spuntare su "L'operazione sopra è stata confermata" e fare clic su "Anteprima dal vivo", la fotocamera sarà collegata all'app AKASO GO.



## Riproduzione dei tuoi contenuti

Puoi riprodurre i tuoi contenuti sulla fotocamera, sul computer, sulla TV o sullo smartphone. Per riprodurre i tuoi video e le tue foto su un computer, è necessario trasferire questi file prima. Il trasferimento dei file libera anche spazio nella memoria per nuovi contenuti. Con questo metodo, la risoluzione di riproduzione dipende dalla risoluzione del dispositivo e dalla sua capacità di riprodurre quella risoluzione.

### Visualizzazione dei file sul tuo Brave 6 Plus

1. Accendi la tua action camera Brave 6 Plus.
2. Premi il pulsante Giù o tocca l'icona Riproduzione nell'angolo in basso a sinistra per accedere alla schermata di riproduzione.
3. Tocca l'icona Video o Foto per accedere alla raccolta di video o foto. Sarai in grado di accedere a tutti i file video o foto.
4. Tocca il file che desideri guardare e si avvierà la riproduzione.



# Eliminazione dei tuoi contenuti

## Eliminazione dei file sul tuo Brave 6 Plus

1. Entra in modalità Riproduzione. Nota: Se la tua scheda di memoria contiene molti contenuti, potrebbe impiegare un minuto per caricarli.
2. Tocca l'icona Video o Foto per accedere alla raccolta di video o foto. Sarai in grado di accedere a tutti i file video o foto.
3. Tocca il file che desideri eliminare e poi tocca l'icona Elimina.
4. Il file selezionato verrà eliminato.
5. Per uscire dalla modalità Riproduzione, semplicemente tocca l'icona Indietro.

## Eliminazione dei file sull'app AKASO GO

1. Apri l'app AKASO GO, quindi connettila alla tua fotocamera.
2. Tocca l'icona Album nell'angolo in basso a sinistra per visualizzare tutti i video e le foto.
3. Tocca il video o la foto che desideri eliminare, quindi tocca l'icona Elimina nell'angolo in alto a destra e successivamente l'opzione "Elimina". Il file scelto verrà eliminato.



# Trasferimento dei tuoi contenuti

## Trasferimento dei tuoi contenuti su un computer

Puoi trasferire i tuoi contenuti su un computer tramite un cavo USB o un lettore di schede (venduto separatamente). Per trasferire i file al computer tramite un cavo USB, collega la fotocamera al computer utilizzando il cavo USB. Quando richiesto, seleziona "Archiviazione USB" come preferenza di connessione. Per trasferire i file al computer utilizzando un lettore di schede, inserisci la scheda di memoria nel lettore di schede e poi collega il lettore alla porta USB del computer. Dopo una trasmissione riuscita, puoi trasferire i file al computer o eliminare file selezionati utilizzando l'Esplora file.

## Scaricare i tuoi contenuti su uno smartphone

1. Apri l'app AKASO GO e connettila alla tua fotocamera.
2. Tocca l'icona Album nell'angolo in basso a sinistra per visualizzare i video e le foto.
3. Tocca l'icona Seleziona situata nell'angolo in alto a destra. Una volta selezionato il file desiderato, tocca anche l'icona Download posizionata nell'angolo in alto a destra. Successivamente, tocca l'opzione Download. Attendi pazientemente il completamento del processo di download e il file verrà salvato con successo nell'album fotografico del tuo telefono.

**Nota:** Se non riesci a scaricare video o foto sull'iPhone tramite l'app, vai alla pagina Impostazioni del tuo telefono → Privacy → Foto, trova "AKASO GO" e seleziona "Tutte le foto".



## Manutenzione Della Fotocamera

Segui queste linee guida per ottenere le migliori prestazioni dalla tua fotocamera:

1. Per garantire una prestazione audio ottimale, agita delicatamente la fotocamera o soffia sui fori del microfono per rimuovere eventuali detriti.
2. Quando pulisci l'obiettivo, utilizza un panno morbido e privo di pelucchi per pulirlo. Evita di inserire oggetti estranei vicino all'obiettivo.
3. Evita di toccare l'obiettivo con le dita per evitare impronte e possibili danni.
4. Proteggi la fotocamera da cadute e urti in quanto potrebbero causare danni interni ai suoi componenti.
5. Evita di esporre la fotocamera ad alte temperature e alla luce diretta del sole, poiché ciò potrebbe causare danni.



## Massimizzare la Durata Della Batteria

Se la batteria raggiunge lo 0% durante la registrazione, la fotocamera salverà il file e si spegnerà. Per massimizzare la durata della batteria, segui queste linee guida quando possibile:

- Spegni la connessione Wifi.
- Registra video a frame rate e risoluzioni inferiori.
- Utilizza l'impostazione dello Salvaschermo.





## Conservazione e Gestione Della Batteria

La fotocamera contiene componenti sensibili, inclusa la batteria. Evitare di esporre la fotocamera a temperature molto fredde o calde. Le condizioni di bassa o alta temperatura possono ridurre temporaneamente la durata della batteria o causare l'interruzione temporanea della fotocamera. Evitare sbalzi di temperatura o umidità durante l'uso della fotocamera, poiché potrebbe formarsi condensa sulla o all'interno della fotocamera.

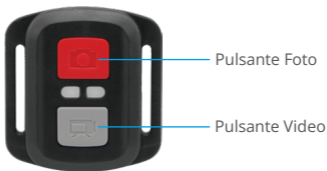
- Non asciugare la fotocamera o la batteria con una fonte di calore esterna come un forno a microonde o un asciugacapelli. I danni alla fotocamera o alla batteria causati dal contatto con liquidi all'interno della fotocamera non sono coperti da garanzia.
- Non conservare la batteria con oggetti metallici, come monete, chiavi o collane. Se i terminali della batteria entrano in contatto con oggetti metallici, ciò può provocare un incendio.
- Non apportare modifiche non autorizzate alla fotocamera. Ciò potrebbe compromettere la sicurezza, la conformità alle normative, le prestazioni e potrebbe invalidare la garanzia.

**Avvertimento:** Non far cadere, smontare, aprire, schiacciare, piegare, deformare, forare, distruggere, microonde, incenerire o verniciare la fotocamera o la batteria. Non inserire oggetti estranei nell'apertura della batteria sulla fotocamera. Non utilizzare la fotocamera o la batteria se è stata danneggiata, ad esempio se incrinata, forata o danneggiata dall'acqua. Lo smontaggio o la foratura della batteria può provocare un'esplosione o un incendio.



# Telecomando

Quando accendi la fotocamera, verrà automaticamente collegata al telecomando. Puoi controllare la fotocamera per scattare foto o registrare video utilizzando il telecomando.



Resistente solo agli schizzi, non impermeabile

## Video

Per registrare un video, assicurati prima che la fotocamera sia in modalità Video.

Per avviare la registrazione, premi semplicemente il pulsante grigio del video. La fotocamera emetterà un segnale acustico con la luce indicatrice di lavoro lampeggiante.

Per interrompere la registrazione, premi nuovamente il pulsante grigio del video. La fotocamera emetterà un segnale acustico e la luce indicatrice di lavoro si spegnerà.

## Foto

Per scattare una foto, assicurati prima che la fotocamera sia in modalità Foto, quindi premi il pulsante Foto. La fotocamera emetterà un suono dell'otturatore che indica il completamento dello scatto.

## Foto Burst

Per scattare foto in raffica, verifica prima che la fotocamera sia in modalità Foto in raffica, quindi premi il pulsante Foto. La fotocamera emetterà un suono dell'otturatore che indica il completamento dello scatto.



## Time Lapse

Per catturare foto o video in intervalli di tempo, verifica prima che la fotocamera sia in modalità Intervalli di tempo, quindi premi il pulsante Foto o Video. La fotocamera emetterà un suono dell'otturatore che indica il completamento dello scatto.

### Sostituzione della batteria CR2032 per telecomando Brave 6 Plus

(1) Usare un cacciavite a punta Phillips da 1,8 mm per rimuovere le 4 viti sul coperchio posteriore del telecomando, consentendo di aprirlo.



(2) Rimuovere altre 4a viti sulla scheda PCB.



(3) Sollevare la scheda PCB e sfilare la batteria, come mostrato nella figura.

**Nota:** NON ruotare la scheda PCB per evitare di invertire le funzioni della fotocamera e dei pulsanti video.



(4) Installare la nuova batteria, mantenendo il polo '+' rivolto verso l'alto.

(5) Rimontare tutte e 4 le viti sulla scheda PCB.

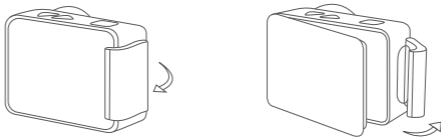


(6) Rimontare tutte e 4 le viti nel coperchio.

## Montare Il tuo Fotocamera

Collega la tua fotocamera a caschi, equipaggiamento e attrezzatura.

Aperto



Vicino



**Nota:** Spingere e assicurarsi che non vi siano spazi tra le strisce impermeabili dellacustodia impermeabile.







## Contattaci

✉ [cs@akasotech.com](mailto:cs@akasotech.com)    🌐 [www.akasotech.com](http://www.akasotech.com)

Per qualsiasi domanda con i prodotti AKASO, non esitate a contattarci, risponderemo entro 24 ore.





AKASO

# BRAVE 6 PLUS

アクションカメラ



取扱説明書

V39



# 目次

パッケージ詳細	01	>>
あなたのBrave 6 Plus	02	>>
プレビュー画面	04	>>
はじめに	05	>>
モード一覧	08	>>
Brave 6 Plus のカスタマイズ	10	>>
AKASO GOアプリへの接続	18	>>
コンテンツを再生する	20	>>
コンテンツの削除	21	>>
コンテンツのオフローディング	22	>>
カメラのメンテナンス	23	>>
バッテリー寿命の最大化	24	>>
バッテリーの保管と取り扱い	25	>>
リモコン	26	>>
カメラのマウント	29	>>
お問い合わせ	32	>>

## パッケージ詳細



Brave 6 Plus  
x1



防水ケース  
x1



チャージャー  
x1



バッテリー  
x2



USBケーブル  
x1



リモコン  
x1



リモコンリストバンド  
x1



保護バックドア  
x1



クリップ1  
x1



クリップ2  
x1



バックル取り付け部  
x1



Jブラケット  
x1



Aマウント  
x1



Cマウント  
x1



Dマウント  
x1



Fマウント  
x1



Eマウント  
x1



Hマウント  
x1



スパナ  
x1



ヘルメットマウント  
x2



包帯  
x4



テザー  
x5



レンズクロス  
x1



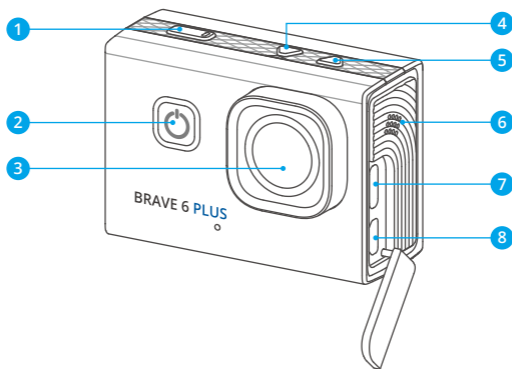
両面粘着テープ  
x2



クイックスタートガイド  
x1



## あなたの Brave 6 Plus



① シャッター/Wifi/OKボタン

② 電源/モード/終了ボタン

③ レンズ

④ 上ボタン

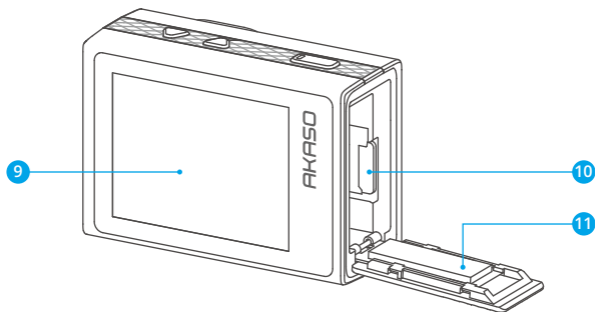
⑤ 下ボタン

⑥ スピーカー

⑦ USB / 外部マイクポート

⑧ マイクロHDMIポート

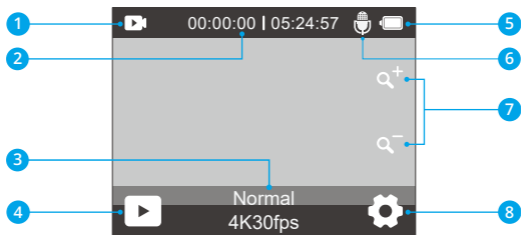




- ⑨ タッチスクリーン
- ⑩ メモリーカードスロット
- ⑪ バッテリーカバー

**ご注意:** 防水ケースをつけている場合、カメラは音声を録音できません。

## プレビュー画面



- |                 |              |
|-----------------|--------------|
| ① モード           | ⑤ バッテリーステータス |
| ② 残りの録画時間/写真の枚数 | ⑥ 録音         |
| ③ 再生            | ⑦ ズームレベル     |
| ④ 現在の撮影モード      | ⑧ 設定         |



# はじめに

AKASO Brave 6 Plusへようこそ。ビデオや写真を保存するには、別売のメモリーカード一枚を準備する必要があります。

## メモリーカード

次の要件を満たすブランド名のメモリーカードを使用してください：

• U3

• 最大容量128GB

1. ご使用の前に、本カメラでメモリーカードをフォーマットしてください。メモリーカードを良好な状態に保つため、定期的に再フォーマットしてください。再フォーマットすると、すべてのコンテンツが消去されますので、再フォーマットする前に必ず写真やビデオをロードしてください。
2. FAT32形式のメモリーカードは、ファイルサイズが4GBに達すると録画を停止し、新しいファイルで再度録画を開始します。
3. 必要以上の容量のメモリーカードを使用すると、カードの認識不良などの問題が発生する可能性があります。また、カメラの応答不能やファームウェアの故障なども引き起こす可能性があります。

## 電源のオンとオフ

### 電源オン

カメラをオンにするには、電源ボタンを3秒間押し続けてください。ピープ音が鳴り、ステータスライトが点灯します。ディスプレイ画面に情報が表示されると、カメラがオンになっていることがわかります。

### 電源オフ

カメラの電源をオフにするには、電源ボタンを3秒間押し続けてください。ピープ音が鳴り、ステータスライトが消えます。



## 撮影モードの切り替え方法

撮影モードを切り替えるには、モードメニューに入り、「ビデオ」または「写真」オプションをタップしてビデオモードまたは写真モードメニューにアクセスします。利用可能なオプションから希望するビデオまたは写真モードを選択できます。モードメニューでは、上下ボタンを押すことでモードを切り替えることもできます。

## モードメニューへの入り方

モードメニューに入るためには、まずカメラがプレビュースクリーンになっていることを確認し、次に画面下部にあるモードアイコンをタップするか、電源ボタンを押します。

モードメニューからの退出は、単純に画面右上の「X」アイコンをタップしてください。



## Wifi のオンとオフ

Wifi をオンにするには、まずカメラをオンにし、その後Wifiボタンを長押しするか、モードメニューでWifiアイコンをタップしてください。Wifi をオフにするには、簡単にWifiボタンを再度押してください。

## ズームインまたはズームアウト

ズームインまたはズームアウトするには、まずカメラがプレビュースクリーン上で表示されていることを確認してください。次に、上ボタンを押してズームインし、下ボタンを押してズームアウトします。また、ズームインまたはズームアウトするには、「+」または「-」アイコンをタップすることもできます。プレイブ6プラスは最大8倍のズームが可能。



## 設定画面への入り方

設定画面に入るためには、まずカメラがプレビュースクリーンになっていることを確認します。その後、上ボタンを長押しするか、画面右下にある設定アイコンをタップします。これで、写真、ビデオ、およびシステムの設定を自由に構成することができます。

## シャッターボタンの使用方法

写真モードまたはビデオモードでは、シャッターボタンを押して写真を撮影したり、ビデオ録画を開始したりします。ビデオモードでの録画を停止するには、再びシャッターボタンを押します。

## 再生画面への入り方

再生画面に入るためには、まずカメラがプレビュースクリーンになっていることを確認します。その後、下ボタンを長押しするか、画面左下の再生アイコンをタップします。ビデオまたは写真のセットを再生または削除することができます。再生画面から抜けるには、単に画面右上の戻るアイコンをタップしてください。

## インジケーター

### 作動インジケーター

カメラが作動している間は、作動インジケーターは青く点灯し続けます。写真を撮影する際に一度点滅し、ビデオの録画中は点滅し続けます。

### 充電インジケーター

カメラが充電中の場合、充電インジケーターは赤く点灯し続けます。充電が完了した場合は、暗くなります。

### Wifi インジケーター

Wifi が有効な場合、Wifi インジケーターは青く点滅します。Wifi に接続されている場合は点灯し続けます。

# モード一覧

このカメラには11つのモードがあります:通常、ループ録画、タイムラプスビデオ、スローモーション、静止画、シングル、パースト写真、タイムラプス写真、セルフタイマー、長時間露光、およびWifi。

## 通常のビデオモード

カメラはオンにするとデフォルトでビデオモードになります。ビデオモードでは、シャッターボタンを押すとカメラがビデオ録画を開始します。ビデオ録画を停止するには、単に再度シャッターボタンを押してください。ズームレベルを調整するために"+"または"- "アイコンをタップすることもできます。

## ループ録画モード

ループ録画モードでは、シャッターボタンを押すと、カメラが指定された長さのループビデオを録画します。

## タイムラプスビデオモード

タイムラプスビデオモードでは、シャッターボタンを押すとカメラが30フレーム/秒でビデオを録画し、特定の間隔で撮影した画像を使用してシームレスかつ高品質なタイムラプス効果を作成します。

## スローモーションモード

カメラは、指定の解像度と速度でビデオを録画することができます。たとえば、2.7K 2倍のオプションを選択して1分間のビデオをキャプチャする場合、カメラは2.7K解像度で2分間のスローモーションビデオを生成します。

## 静止画モード

このモードでは、シャッターボタンを押すと、カメラがビデオ録画中に設定された間隔で静止画を撮影します。写真は写真ファイルに保存されます。



### シングル写真モード

このモードでは、シャッターボタンを押すと、カメラが指定された写真解像度で写真を撮影します。

### 写真連写モード

このモードでは、シャッターボタンを押すと、カメラが1秒あたり3枚、5枚、または10枚の連続した写真を撮影します。

### タイムラプス写真モード

このモードでは、シャッターボタンを押すと、カメラが設定された間隔で一連の写真を撮影します。

### セルフタイマーモード

このモードでは、シャッターボタンを押すと、カメラがカウントダウンを開始し、設定されたカウントダウン後に写真を撮影します。

### 長時間露光モード

この撮影モードでは、カメラは露光時間が終了するまで設定された間隔で連続して写真を撮影します。このモードは、低照度環境、明るい環境、さらには水中シーンなど、さまざまな照明条件での写真撮影に適しています。

### Wifiモード

Wifiがオンになると、カメラはWifiモードに入り、Wifi情報を表示します。

# Brave 6 Plus のカスタマイズ

## ビデオ設定

### 1. ビデオサイズ

4K 30fps/2.7K 30fps/2.7K 60fps/1080P 120fps/1080P 60fps/1080P 30fps/720P240fps/720P 120fps/720P 60fps (初期設定:4K30fps)

このカメラは最大4K30fpsまでのビデオを撮影することができます。より高い解像度は、ピクセル数の増加により、よりクリアで詳細な映像を提供します。ただし、高解像度のビデオはファイルサイズも大きくなるため注意が必要です。

**注意:**高解像度や高フレームレートでビデオを撮影する際は、周囲の温度が高い場合、カメラが熱くなり電力を多く消費する可能性があります。

### 2. 手ぶれ補正

オフ/ オン (初期設定:オフ)

電子画像安定化 (EIS) 2.0は、カメラのブレを効果的に軽減し、滑らかなビデオを実現します。この機能は、乗馬、スキー、手持ち撮影などに適しています。

**注意:**フレームレートを60fps以上に設定した場合、画像安定化は無効になります。また、歪み補正と上下逆さまが有効になっている場合や、カメラがタイムラプスビデオモードやスローモーションビデオモードである場合も、画像安定化は無効になります。

### 3. ループ録画時間

1分 / 3分 / 5分 / 10分 (初期設定:1分)

このオプションを使用すると、ループ録画モードで撮影されるビデオの長さを設定できます。たとえば、ループ録画時間を「3分」に設定すると、カメラは3分ごとにビデオを保存します。メモリがいっぱいになると、新しいビデオファイルが古いものを上書きして連続的な録画を確保します。

**注意:**ループ録画時間はループ録画モードでのみ動作します。



#### 4. タイムラプス間隔

オフ/1秒 / 3秒 / 5秒 / 10秒 / 30秒 / 1分 (初期設定:1秒)

このオプションを使用すると、ビデオフレームのキャプチャとコンパイルの頻度を指定できます。カメラは設定された間隔で一連のビデオを撮影し、動的または変化するシーン(雲、星、夕焼けなど)のキャプチャに最適です。

**注意:**タイムラプスビデオは音声なしで録画されます。タイムラプス間隔はタイムラプスビデオモードでのみ動作します。

#### 5. スローモーション

2.7K 2倍 / 1080P 4倍 / 1080P 2倍 / 720P 8倍 / 720P 4倍 / 720P 2倍 (初期設定:2.7K 2倍)

スローモーションビデオを作成する前に解像度と速度を選択できます。カメラがスローモーションモードにあるとき、設定した解像度でビデオを録画し、設定した速度で再生します。

**注意:**スローモーションはスローモーションモードでのみ動作します。

#### 6. 静止画の時間

3秒 / 5秒 / 10秒 / 30秒 (初期設定:3秒)

このオプションを使用すると、ビデオ録画中に静止画を撮影する頻度を指定できます。

**注意:**このオプションは静止画モードでのみ動作します。

#### 7. マイクフォン

内蔵/外部 (初期設定:内蔵)

内蔵マイクまたは外部マイクのどちらかを選択することができます。

#### 8. 音声記録

オフ/ オン (初期設定:オフ)

録音を無効にすると、カメラは音声なしでビデオを記録します。オンまたはオフにすることができます。

**注意:**このオプションはビデオおよびループ録画モードでのみ機能します。

#### 9. 露出補正

-2 / -1.7 / -1.3 / -1.0 / -0.7 / -0.3 / 0 / 0.3 / 0.7 / 1.0 / 1.3 / 1.7 / 2 (初期設定:0.0)

デフォルトでは、カメラは適切な露出レベルを決定するために全体の画像を使用します。しかし、露出では、露出を決定する際にカメラが優先する領域を選択することができます。この設定は、重要な領域が過度または不十分に露出される可能性があるシーンで特に役立ちます。設定を変更すると、カメラは画像の変化を即座に表示します。モードを切り替えると、カメラは再び全体の画像を使用して適切な露出レベルを決定します。

## 10. メータリング

センター / 平均 / スポット (初期設定:マルチ)

このオプションでは、異なるシーンに対してメータリングモードを設定することができます。シーンに応じて適したメータリングモードを選択することができます。

# 写真の設定

## 1. 画像サイズ

20MP / 16MP / 12MP / 8MP (初期設定:20MP)

このカメラは20MPの写真を撮影することができます。より高い解像度は、ピクセル数の増加により、より明確なクラリティと詳細を提供します。ただし、より高い解像度の写真は、より大きなファイルサイズになります。

## 2. 出力フォーマット

JPEG / JPEG+DNG (初期設定:JPEG)

出力形式は、JPEGおよびJPEG+DNGを含む写真の出力形式を決定します。DNGはDigital Negativeの略で、圧縮やデータの損失なく画像データを保持する無損失のRAW画像形式です。DNGを選択すると、写真のファイルサイズは大きくなりますが、優れた画質とデータの損失からの保護が確保されます。

## 3. セルフタイマー

オフ / 1秒 / 3秒 / 5秒 / 10秒 / 30秒 (初期設定1秒)

このオプションでは、セルフタイマーモードのカウントダウン時間を設定できます。設定したカウントダウン時間後にカメラが写真を撮影します。

#### 4. タイムラプス撮影間隔

オフ/3秒 / 5秒 / 10秒 / 30秒 / 1分 (初期設定:3秒)

このオプションでは、写真フレームの撮影と編集の頻度を指定できます。カメラは設定した間隔で一連の写真を撮影します。

**注意:**このオプションはタイムラプス写真モードでのみ機能します。

#### 5. 写真連写

オフ/3連続 / 5連続 / 10連続 (初期設定:3連続)

このオプションでは、連続して撮影される写真の枚数を指定できます。シャッターボタンを押すと、カメラは選択した枚数に基づいて連続して写真を撮影します。

**注意:**このオプションはバースト写真モードでのみ機能します。

#### 6. 長時間露光

オフ/1秒 / 2秒 / 5秒 / 8秒 / 30秒 / 60秒 (初期設定:1秒)

このオプションを使用すると、長時間露光モードで露出時間を設定できます。カメラは設定した時間が終了するまで写真を撮り続けます。

**注意:**このオプションは長時間露光モードでのみ動作します。

#### 7. 露出補正

-2 / -1.7 / -1.3 / -1.0 / -0.7 / -0.3 / 0 / 0.3 / 0.7 / 1.0 / 1.3 / 1.7 / 2 (初期設定:0.0)

デフォルトでは、カメラは適切な露出レベルを決定するために全体の画像を使用します。しかし、露出では、露出を決定する際にカメラが優先する領域を選択することができます。この設定は、重要な領域が過度または不十分に露出される可能性があるシーンで特に役立ちます。設定を変更すると、カメラは画像の変化を即座に表示します。モードを切り替えると、カメラは再び全体の画像を使用して適切な露出レベルを決定します。

#### 8. ISO

自動/100/200/400/600/800/1600/3200 (初期設定:自動)

ISOはカメラの光の感度を決定し、明るさと画像ノイズのトレードオフを作り出します。画像ノイズとは画像の粒状感の程度を指します。暗い場所では、高いISO値はより明るい画像をもたらしますが、画像ノイズも増加します。低い値は画像ノイズを抑えますが、暗い画像になります。

## 9. メータリング

センター / 平均 / スポット (初期設定: マルチ)

このオプションでは、異なるシーンに対してメータリングモードを設定することができます。シーンに応じて適したメータリングモードを選択することができます。

## 10. 画質

高画質 / 標準 / 低画質 (初期設定: 標準)

このオプションは、写真の詳細レベルを決定します。

# システム設定

## 1. サウンド

**シャッター:** オフ / オン (初期設定: オフ)

**起動音:** オフ / オン (初期設定: オフ)

**キートーン:** オフ / オン (初期設定: オフ)

**ボリューム**

シャッター、起動音、キートーンをオンまたはオフにしたり、カメラの音量を調整できます。

## 2. 視角設置

スーパーワイド / ワイド / ミディアム / ナロー (初期設定: スーパーワイド)

アングルは、カメラレンズを通じてキャプチャされるシーンの範囲(度数で測定)を指します。スーパーワイドアングルは最も広い範囲をキャプチャし、ナローアングルは最も狭い範囲をキャプチャします。

## 3. 音声制御

オフ / オン (初期設定: オフ)

ボイスコントロールが有効になっていると、サポートされた音声コマンドを使用してカメラに簡単なタスクを指示することができます。音声コマンドの詳細については、「指令の説明」オプションをタップしてください。

**指令の説明:**

AKASO ビデオスタート	AKASO Wifiオン	AKASO 写真
AKASO ビデオストップ	AKASO Wifiオフ	AKASO 電源オフ



#### 4. 歪み補正

オフ/ オン(初期設定:オフ)

この設定は、広角撮影時に発生する魚眼効果を修正し、歪みのない画像を得るためのものです。

**注意:**歪み補正が有効な場合、この機能は無効になります。

#### 5. ホワイトバランス

自動/白熱/蛍光/太陽光/曇り(初期設定:自動)

ホワイトバランスは、さまざまな照明条件で正確な色再現性を持つ写真オブジェクトをキャプチャするためにホワイトバランスを調整します。暖かい環境と涼しい環境の両方で使用できるようにします。

**注意:**ホワイトバランスを設定するには、まずダイビングモードを無効にし、フィルターを「通常」に設定してください。

#### 6. フィルタリング

普通/黒白/復古/鮮やか/自然/ネガチプシート/暖かい/コールドトーン/赤/グリーン/青(初期設定:普通)

この設定は、複数のオプションを提供します。さまざまなフィルターを使用することで、最も素晴らしい映像をキャプチャできます。

**注意:**フィルターを設定するには、まずダイビングモードを無効にし、ホワイトバランスを「オート」に設定してください。

#### 7. 潜水モード

オフ/ オン(初期設定:オフ)

ダイビングモードは、水中のシーンで赤色光の不足を補うことができます。ダイビングモードは、熱帯や青い水で使用することを想定しており、10~80フィートの間で最適化されています。

**注意:**ダイビングモードを有効にするには、まずフィルターを「通常」に設定し、ホワイトバランスを「オート」にしてください。

## 8. 反転モード

オフ / オン (初期設定: オフ)

この設定は、映像が逆さまになるのを防ぐために、ビデオや写真の向きを決定します。

**注意:** この設定が有効になっていると、ユーザーインターフェースも逆さまになります。画像安定化がオンになっている場合、上下反転はできません。

## 9. ダイビングモード

オフ / オン (初期設定: オフ)

このモードでは、カメラをシガーライターに接続し、車のエンジンを起動すると自動的にビデオが記録され、保存されます。

## 10. 自動シャットダウン

オフ / 1分 / 3分 / 5分 / 10分 (初期設定: 1分)

カメラは一定時間操作がない場合、バッテリー寿命を節約するために自動的に電源が切れます。

## 11. スクリーンセーバー

オフ / 30秒 / 1分 / 3分 / 5分 (初期設定: 3分)

一定時間操作がないと、ディスプレイは自動的にオフになります。ディスプレイを再度オンにするには、カメラの任意のボタンを押してください。

## 12. 言語

英語/Deutsch/Français/Italiano/Español/Português/日本語/한국어/ 简体中文/繁體中文/Dutch/Polski/Российский (初期設定: 英語)

Brave 6 Plus アクションカメラのシステム言語を選択できます。

## 13. 日時

YY/MM/DD, MM/DD/YYYY, DD/MM/YYYY (初期設定: MM/DD/YY)

この設定では、カメラの日付と時刻を手動で設定することができます。

## 14. 時間透かし

オフ / 日付 / 日時 (初期設定: オフ)

好みの設定に基づいて、ビデオや写真にウォーターマークが追加されます。たとえば、日付と時刻オプションを選択した場合、現在の日付と時刻がビデオや写真にスタンプされます。また、オフオプションを選択することで、この機能を無効にすることもできます。

## 15. 電源周波数

60 Hz / 50 Hz (初期設定: 60 Hz)

光周波数は、世界中のほとんどの電力システムで使用されている交流 (AC) の周波数です。北東部にお住まいの場合は、電源周波数を60 Hzに設定してください。これは、電流が1秒間に60回方向を変えることを意味します。このエリア外に住んでいる場合は、50 Hzに設定してください。

## 16. フォーマット

はい / いいえ (初期設定: いいえ)

撮影する前に、フォーマット処理を完了する必要があります。メモ리카ードを良好な状態に保つために、定期的に再フォーマットをおすすめします。再フォーマットはすべてのコンテンツを削除するため、写真やビデオを別の場所に移動させることを忘れないでください。

## 17. リセット

はい / いいえ (初期設定: いいえ)

このオプションを選択すると、すべての設定がデフォルト値にリセットされます。

## 18. システム情報

**ブランド:** AKASO

**モデル:** Brave 6 Plus

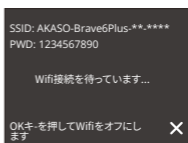
**バージョン:** SN-39-XXXXXX-VX

このオプションを使用すると、カメラのブランド、モデル、およびファームウェアのバージョンを確認できます。

## AKASO GOアプリへの接続

カメラを使用して写真やビデオを撮影するには、スマートフォンのアプリを使用してカメラを制御することができます。これを行うには、まずApp StoreまたはGoogle PlayからAKASO GOアプリをダウンロードしてインストールしてください。カメラがアプリに接続されている場合、撮影やカメラの設定の変更を制御することができます。また、このアプリを介してライブプレビュー、再生、ダウンロード、およびビデオの編集も行えます。以下の手順に従ってカメラをアプリに接続してください。

1. カメラの電源をオンにし、次にWifiボタンを押し続けるか、モードメニューのWifiアイコンをタップしてWifiをオンにします。カメラはWifiモードに入り、Wifi情報が表示されません。



2. スマートフォンのWifiをオンにしてWifi設定ページに移動し、リスト内のWifi SSIDを見つけてタップし、接続のためにパスワード「1234567890」を入力します。

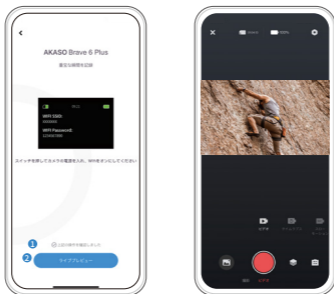
**注意:**カメラのWifiが接続されると、「インターネットに接続していません」という通知や「セキュリティが弱い」という通知が表示される場合があります。スマートフォンの4G信号がブロックされているためですが、無視してアプリの接続を続行してください。



3. AKASO GOアプリを開き、「デバイス」→「デバイスの追加」とタップし、リストから「Brave 6 Plus」を選択して接続します。



4. 「上記の操作を確認しました」をクリックし、「ライブプレビュー」をクリックすると。カメラはAKASO GOアプリに接続されます。



## コンテンツを再生する

カメラ、コンピューター、テレビ、またはスマートフォンでコンテンツを再生することができます。コンピューターでビデオや写真を再生するには、まずこれらのファイルを転送する必要があります。ファイルを転送することで、新しいコンテンツ用のメモリスペースも確保されます。この方法では、再生解像度はデバイスの解像度と再生能力に依存します。

### Brave 6 Plusでのファイルの表示方法

1. Brave 6 Plusアクションカメラをオンにします。
2. 下向きボタンを押すか、左下隅にある再生アイコンをタップして再生画面に入ります。
3. ビデオまたは写真のセットに入るためにビデオまたは写真のアイコンをタップします。  
すべてのビデオや写真ファイルにアクセスすることができます。
4. 見たいファイルをタップすると再生されます。



# コンテンツの削除

## Brave 6 Plusでのファイルの削除方法

- 1.再生モードに入ります。注意: メモリカードに多くのコンテンツが含まれている場合、読み込みに1分ほどかかる場合があります。
2. ビデオまたは写真のアイコンをタップしてビデオまたは写真のセットに入ります。すべてのビデオや写真ファイルにアクセスすることができます。
3. 削除したいファイルをタップし、次に削除アイコンをタップします。
4. 選択したファイルが削除されます。
5. 再生モードから終了するには、バックアイコンをタップするだけです。

## AKASO GOアプリでのファイルの削除方法

1. AKASO GOアプリを開き、カメラに接続します。
2. 左下隅にあるアルバムアイコンをタップして、すべてのビデオと写真を表示します。
3. 削除したいビデオまたは写真をタップし、右上隅にある削除アイコンをタップし、次に「削除」オプションをタップします。選択したファイルが削除されます。



# コンテンツのオフローディング

## コンピュータへのコンテンツのオフロード

USBケーブルまたはカードリーダー（別売）を使用して、コンテンツをコンピュータに転送することができます。USBケーブルを使用してファイルをコンピュータに転送するには、カメラをUSBケーブルでコンピュータに接続します。プロンプトが表示されたら、「USBストレージ」を接続方法として選択します。カードリーダーを使用してファイルをコンピュータに転送するには、メモリカードをカードリーダーに挿入し、そのリーダーをコンピュータのUSBポートに接続します。正常に転送が完了したら、ファイルをコンピュータに転送するか、選択したファイルをファイルエクスプローラーで削除することができます。

## スマートフォンへのコンテンツの転送方法

1. AKASO GOアプリを開き、カメラをアプリに接続します。
2. 左下隅にあるアルバムアイコンをタップしてビデオと写真を表示します。
3. 右上隅にある選択アイコンをタップします。お好みのファイルを選択した後、同じく右上隅にあるダウンロードアイコンをタップします。次に、ダウンロードオプションをタップします。ダウンロードのプロセスが完了するまでお待ちください。ファイルはスマートフォンの写真アルバムに正常に保存されます。

**注意:** アプリ経由でビデオや写真をiPhoneにダウンロードできない場合は、お使いのiPhoneの設定画面に移動し、「プライバシー」→「写真」を選択し、「AKASO GO」を「すべての写真」に設定してください。





## カメラのメンテナンス

カメラのパフォーマンスを最大限に引き出すには、次のガイドラインに従ってください。

1. 最高のオーディオパフォーマンスを得るには、カメラを振ること、或いはマイクに息を吹きかける方法によってマイク穴のホコリを予め取り除いてください。
2. レンズをきれいにするには、柔らかく糸くずの出ない布でレンズを拭いてください。レンズの周りに異物を入れないでください。
3. 指でレンズに触れないでください。
4. 内部の部品に損傷を与える可能性がありますので、カメラを落下や衝撃から離してください。
5. 損傷しないように、カメラを高温や強い日光から離してください。



## バッテリー寿命の最大化

記録中にバッテリーが0%に達すると、カメラはファイルを保存して電源を切ります。

バッテリー寿命を最大化するには、可能な場合は次のガイドラインに従ってください。

- ワイヤレス接続をオフにする
- より低いフレームレートと解像度でビデオをキャプチャする
- スクリーンセーバー設定を使用する



## バッテリーの保管と取り扱い

カメラには、バッテリーなどの敏感なコンポーネントが含まれています。カメラを非常に低温や高温の環境に置かないでください。低温や高温の状態では、一時的にバッテリーの寿命が短くなったり、正常に動作しなくなったりする可能性があります。カメラの表面または内部に結露が発生する可能性があるため、カメラを使用するときは温度や湿度の急激な変化を避けてください。

- カメラやバッテリーを電子レンジやヘアドライヤーなどの外部熱源で乾燥させないでください。カメラ内部の液体との接触によるカメラまたはバッテリーの損傷は、保証の対象外です。
- コイン、鍵、ネックレスなどの金属物と一緒にバッテリーを保管しないでください。バッテリー端子が金属物に接触すると、火災を起こる可能性があります。
- カメラを不正に改造することは製品の安全性、規制への準拠、パフォーマンスに大幅に影響して、保証も無効になりますから、そうしないでください。

**警告:** カメラやバッテリーを落としたり、分解したり、開いたり、押しつぶしたり、曲げたり、変形させたり、穴を開けたり、細断したり、電子レンジで焼却したり、焼却したり、塗装したりしないでください。カメラのバッテリー開口部に異物を入れないでください。カメラまたはバッテリーが損傷している場合（例えば、亀裂、穴があいたり、水で損傷したりした場合）は使用しないでください。分解またはバッテリーに穴を開けると、爆発や火災の原因となることがあります。



# リモコン

カメラをオンにすると、自動的にリモートに接続されます。リモートを使用して、カメラを操作して写真を撮影したり、ビデオを録画したりすることができます。



防滴のみ、防水対応ではありません

## ビデオ

ビデオを録画するには、まずカメラがビデオモードになっていることを確認してください。録画を開始するには、単純にグレーのビデオボタンを押してください。カメラは作業中インジケータライトが点滅する中、ピープ音を1回出します。

録画を停止するには、単純にグレーのビデオボタンを再度押してください。カメラは作業中インジケータライトが消える中、ピープ音を1回出します。

## 写真

写真を撮影するには、まずカメラが写真モードになっていることを確認し、その後写真ボタンを押してください。カメラはシャッター音を鳴らし、撮影完了を知らせます。

## 写真連写バースト写真

バースト写真を撮影するには、まずカメラがバースト写真モードになっていることを確認し、その後写真ボタンを押してください。カメラはシャッター音を鳴らし、撮影完了を知らせます。



## タイムラプス

タイムラプス写真またはビデオを撮影するには、まずカメラがタイムラプスモードになっていることを確認し、その後写真またはビデオボタンを押してください。カメラはシャッター音を鳴らし、撮影完了を知らせます。

## AKASOアクションカメラリモコンのCR2032バッテリー交換

1. リモートの背面カバーにある4本のネジを外すために1.8mmのフィラメント先端のドライバを使用して開きます。



2. PCBボード上の別の4本のネジを取り外します。



3. 図に示すように、PCBボードを持ち上げ、バッテリーを引き出します。ご

**注意:** カメラとビデオボタンの機能を逆にしないように、PCBボードを回転させないでください。



4. "+"極を上にして新しいバッテリーを取り付けます。

5. すべての4本のネジをPCBボードに取り付けます。

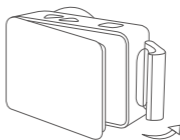
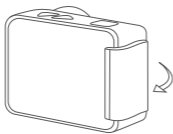


6. すべての4本のネジをカバーに戻して取り付けます。

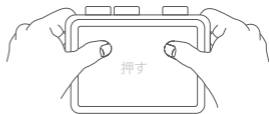
## カメラのマウント

付属のアクセサリを使用して、さまざまなデバイスにこのアクションカメラをマウントして、さまざまな体験をしてください。

開いた



開いた



**ご注意:** を押して、防水ストリップの間に隙間がないことを確認してください防水ケース。









## お問い合わせ

✉ [cs@akasotech.com](mailto:cs@akasotech.com)    🌐 [www.akasotech.com](http://www.akasotech.com)

AKASO製品に関するご質問がございましたら、お気軽にメールでお問い合わせいただくか、QRコードをスキャンしてフォローしてください。



AKASO

# BRAVE 6 PLUS

C â m e r a   A ç ã o



MANUAL DO USUÁRIO

V39



# Índice

O que está na caixa-----	01	>>
O seu Brave 6 Plus -----	02	>>
Ecrã de Previsão -----	04	>>
Começar a trabalhar -----	05	>>
Visão geral dos modos -----	08	>>
Personalizar o Brave 6 Plus-----	10	>>
Ligar à aplicação AKASO GO-----	19	>>
Reproduzir o seu conteúdo-----	21	>>
Eliminar o seu conteúdo-----	22	>>
Carregamento do seu conteúdo-----	23	>>
Manutenção da sua câmara-----	24	>>
Maximizar a vida útil da bateria -----	25	>>
Armazenamento e manuseamento da bateria -----	26	>>
Controlo remoto-----	27	>>
Montagem da câmara -----	30	>>
Contactar-nos-----	33	>>

# O que está na caixa



Brave 6 Plus  
x1



Caso Impermeável  
x1



Carregador de  
Bateria x1



Bateria  
x2



Cabo USB  
x1



Control Remoto  
x1



Alça de Controle  
Remoto x1



Backdoor  
Protetor x1



Clipe 1  
x1



Clipe 2  
x1



Buckle Mount  
x1



J-Gancho de  
Montagem x1



Montagem A  
x1



Montagem C  
x1



Montagem D  
x1



Montagem F  
x1



Montagem E  
x1



Montagem H  
x1



Chave de boca  
x1



Montagem de  
Capacete x2



Bandagem  
x4



Amarrar  
x5



Pano de Lente  
x1



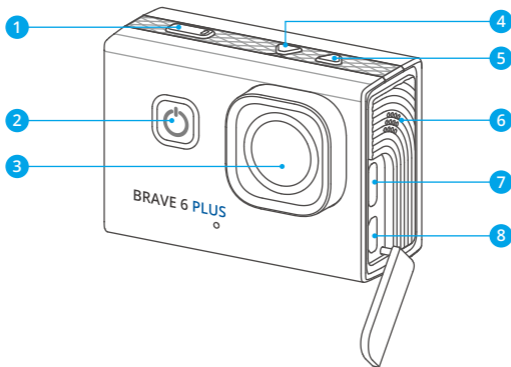
Fita Adesiva  
Dupla Face x2



Guia de Início  
Rápido x1



## O seu Brave 6 Plus



1 Botão do obturador /Wifi /OK

2 Botão de ligar /modo /saída

3 Lente

4 Botão para cima

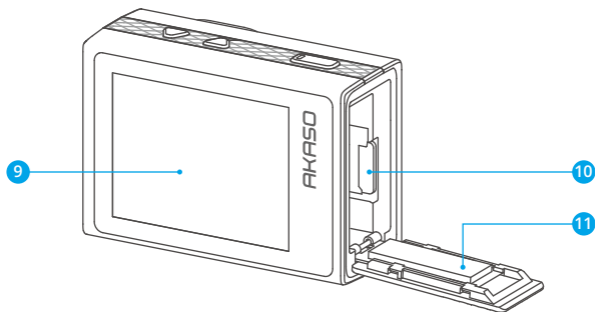
5 Botão para baixo

6 Orador

7 Porta USB /microfone externo

8 Porta Micro HDMI

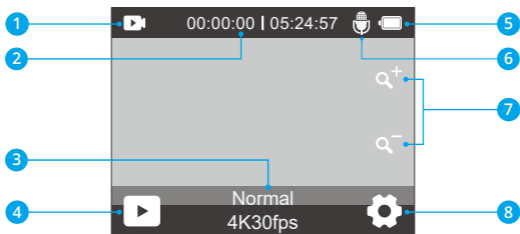




- 9 Ecrã tátil
- 10 Ranhura para cartão de memória
- 11 Tapa da bateria

**Observação:** A câmara não gravará som quando estiver no estojo à prova d'água.

## Ecrã de Previsão



- |                         |                     |
|-------------------------|---------------------|
| 1 Modo                  | 5 Estado da bateria |
| 2 Tempo de gravação     | 6 Gravação de áudio |
| 3 Reprodução            | 7 Nível de zoom     |
| 4 Modo de disparo atual | 8 Definições        |





# Começar a trabalhar

Bem-vindo à sua câmara de ação AKASO Brave 6 Plus. Para captar vídeos e fotografias, é necessário um cartão de memória (vendido separadamente).

## Utilização do cartão de memória

Utilize cartões de memória de marca que cumpram estes requisitos:

- U3
- Capacidade até 128G

### Notas:

- (1) Formate primeiro o cartão de memória nesta câmara antes de o utilizar. Para manter o cartão de memória em boas condições, reformate-o regularmente. A reformatação apaga todo o seu conteúdo, portanto, certifique-se de carregar suas fotos e vídeos antes de reformatar.
- (2) O cartão de memória no formato FAT32 pára a gravação quando o tamanho do arquivo atinge 4 GB e começa a gravar novamente num novo arquivo.
- (3) A utilização de um cartão de memória com uma capacidade superior à necessária pode levar a complicações como o não reconhecimento do cartão. Além disso, pode causar mau funcionamento da câmara, incluindo falta de resposta ou falha de firmware.

## Ligar e desligar

### Ligar:

Para ligar a câmara, prima sem soltar o botão de alimentação durante 3 segundos. Ouvirá um sinal sonoro e verá a luz de estado acender-se. Quando aparecerem informações no ecrã, saberá que a câmara está ligada.

### Desligar:

Para desligar a câmara, prima sem soltar o botão de alimentação durante 3 segundos. Ouvirá um sinal sonoro e a luz de estado apagar-se-á.



## Ligar e desligar o Wifi

Para ligar o Wifi, ligue primeiro a câmara e, em seguida, prima sem soltar o botão Wifi ou toque no ícone Wifi no menu de modo. Para desligar o Wifi, basta premir novamente o botão Wifi.

## Aumentar ou diminuir o zoom

Para aumentar ou diminuir o zoom, primeiro certifique-se de que a câmara está no ecrã de pré-visualização. Em seguida, prima o botão Para cima para aumentar o zoom e prima o botão Para baixo para diminuir o zoom. Também pode tocar no ícone "+" ou "-" para aumentar ou diminuir o zoom. O Brave 6 Plus pode aplicar zoom de até 8X.

## Entrar no menu Modo

Para acessar o menu de modos, certifique-se primeiro de que a câmara esteja na tela de visualização e toque no ícone de modo na parte inferior da tela, ou pressione o botão de energia.

Para sair do menu de modo, basta tocar no ícone "X" no canto superior direito.

## Mudar os modos de disparo

Para alternar entre os modos de gravação, acesse o menu de modos e toque na opção "Vídeo" ou "Foto" para acessar o menu do modo de vídeo ou foto. Você poderá selecionar o modo desejado a partir das opções disponíveis. No menu de modos, você também pode pressionar o botão de seta para cima ou para baixo para alternar entre os modos.

## Entrar no modo de definições

Para acessar a tela de configurações, certifique-se primeiro de que a câmara esteja na tela de visualização. Em seguida, pressione e segure o botão "Para cima" ou toque no ícone de configurações no canto inferior direito. Agora, você está livre para configurar as opções de foto, vídeo e sistema, respectivamente.

## Usando o botão do obturador

No modo Foto ou Vídeo, pressione o botão do obturador para capturar fotos ou iniciar a gravação de vídeo. Para parar a gravação no modo Vídeo, pressione novamente o botão do obturador.

## Acessando a tela de reprodução

Para acessar a tela de reprodução, certifique-se primeiro de que a câmera esteja na tela de visualização. Em seguida, pressione e segure o botão "Para baixo" ou toque no ícone de reprodução no canto inferior esquerdo da tela. Você poderá acessar os vídeos ou as fotos para reproduzir ou apagar arquivos. Para sair da tela de reprodução, basta tocar no ícone de voltar no canto superior direito.

## Indicadores

### Indicador de trabalho (Azul)

O indicador de funcionamento permanecerá azul quando a câmara estiver a funcionar. Piscará uma vez enquanto estiver a tirar fotografias e continuará a piscar enquanto estiver a gravar vídeos.

### Indicador de carregamento (Vermelho)

O indicador de carga permanecerá vermelho quando a câmara estiver a carregar. Apagar-se-á quando estiver totalmente carregada.

### Indicador Wifi (Amarelo)

O indicador Wifi pisca a azul quando o Wifi está ativado e permanece aceso quando o Wifi está Ligar.

# Visão geral dos modos

Esta câmara dispõe de 11 modos: Normal, Gravação em Loop, Vídeo TimeLapse, Câmara Lenta, Foto fixa, Solteiro, Contínua, Foto TimeLapse, Temporizador, Exposição Longa e Wifi.

## Modo de Vídeo Normal

A câmara está no modo Vídeo por Predefinição quando é ligada.

No Modo de vídeo, quando prime o botão Obturador, a câmara começa a gravar vídeo. Para parar a gravação de vídeo, basta premir novamente o botão Obturador.

## Modo de Gravação em Loop

No modo de gravação em loop, quando prime o botão do obturador, a câmara grava um vídeo em loop com a duração definida.

## Modo de Vídeo TimeLapse

No modo de vídeo com lapso de tempo, quando prime o botão do obturador, a câmara grava vídeos a 30 fotogramas por segundo, utilizando imagens captadas em intervalos específicos para criar um efeito de lapso de tempo contínuo e de alta qualidade.

## Modo de Vídeo em Câmara Lenta

A câmara é capaz de gravar vídeos com a resolução e a velocidade especificadas. Por exemplo, se você selecionar a opção 2.7K 2X para capturar um vídeo com duração de um minuto, a câmara gerará um vídeo em câmara lenta de 2 minutos com resolução de 2.7K.

## Modo de Foto Fixa

Neste modo, quando prime o botão do obturador, a câmara capta uma imagem fixa no intervalo definido durante a gravação de vídeo. A fotografia será guardada no ficheiro de fotografias.



### **Modo de Solteiro Foto**

Neste modo, quando prime o botão do obturador, a câmara tira uma fotografia com a resolução definida.

### **Modo de Contínua Foto**

Neste modo, quando prime o botão do obturador, a câmara capta continuamente 3, 5 ou 10 fotografias por segundo.

### **Modo de Foto TimeLapse**

Neste modo, quando prime o botão do obturador, a câmara tira uma série de fotografias no intervalo definido.

**Modo de Temporizador** Neste modo, quando premir o botão do obturador, a câmara começa a fazer uma contagem decrescente e, em seguida, tira uma fotografia após a contagem decrescente definida.

### **Modo de Exposição Longa**

Neste modo de disparo, a câmara capta continuamente fotografias no intervalo definido até o tempo de exposição terminar. Esse modo funciona perfeitamente para capturar fotos em várias condições de iluminação, incluindo ambientes com pouca luz, ambientes claros e até mesmo cenas subaquáticas.

### **Modo Wifi**

Quando o Wifi está Ligar, a câmara entra no modo Wifi e apresenta a informação Wifi.

# Personalizar o Brave 6 Plus

## Definições de vídeo

### 1. Resolução vídeo

4K 30fps/2.7K 30fps/2.7K 60fps/1080P 120fps/1080P 60fps/1080P 30fps/720P 240fps/720P 120fps/720P 60fps (Predefinição: 4K 30fps)

Esta câmara é capaz de gravar vídeo até 4K30fps, com uma resolução mais elevada que oferece maior nitidez e detalhe devido ao maior número de pixels. No entanto, uma resolução de vídeo mais elevada também resulta em ficheiros de maiores dimensões.

**Nota:** A captura de vídeos de alta resolução ou de alta velocidade em cenas de baixa temperatura pode consumir mais energia.

### 2. Estabilização de imagem

Desligar/Ligar (Predefinição: Desligar)

A Estabilização Eletrónica de Imagem (EIS2.0) pode suavizar eficazmente os tremores da lente, resultando em vídeos suaves e nítidos. Esta funcionalidade é ideal para utilizar na captação de cenas que envolvam actividades como modo de inversão, patinar e utilizar a câmara na mão.

**Nota:** A estabilização de imagem será desactivada quando definir a velocidade de fotogramas para mais de 60 fps. Também será desactivada quando a Calibração da distorção e a Invertida estiverem activadas, ou quando a câmara estiver nos modos Vídeo TimeLapse e Vídeo em câmara lenta.

### 3. Tempo de Loop

1 Minuto/3 Minutos/5 Minutos/10 Minutos (Predefinição: 1 Minuto)

Esta opção permite-lhe definir a duração dos vídeos captados no modo de gravação em loop. Por exemplo, se definir Tempo de Loop para "3 Minutos", a câmara guardará vídeos a cada 3 minutos. Quando a memória estiver cheia, os novos arquivos de vídeo substituirão os antigos para garantir a gravação contínua.



**Nota:** O Tempo de Gravação em Loop funciona apenas no modo de Gravação em Loop.

#### 4. Intervalo de Tempo

Desligar/1 Segundo/3 Segundos/5 Segundos/10 Segundos/30 Segundos/1 Minuto (Predefinição: 1 Segundo)

Esta opção permite-lhe especificar a frequência com que os fotogramas de vídeo são capturados e compilados. A câmara capta uma série de vídeos no intervalo definido, o que a torna ideal para a captação de cenas dinâmicas ou em mudança, como nuvens, estrelas, pores-do-sol, etc.

**Nota:** O vídeo de lapso de tempo é gravado sem áudio. O intervalo de lapso de tempo funciona apenas no modo de Vídeo TimeLapse.

#### 5. Movimento lento

2.7K 2X/1080P 4X/1080P 2X/720P 8X/720P 4X/720P 2X (Predefinição: 2.7K 2X)

Pode escolher a resolução e a velocidade antes de criar vídeos em câmara lenta. Quando a câmara está no modo de câmara lenta, grava o vídeo com a resolução definida e, em seguida, reproduz-o à velocidade definida.

**Nota:** A câmara lenta funciona apenas em câmara lenta.

#### 6. Tempo de Foto Fixa

3 Segundos/5 Segundos/10 Segundos/30 Segundos (Predefinição: 3 Segundos)

Esta opção permite-lhe especificar a frequência com que a fotografia é captada durante a gravação de vídeo.

**Nota:** Esta opção funciona apenas no modo de Foto Fixa.

#### 7. Microfone

Integrado/Externo (Predefinição: Integrado)

Tem a opção de selecionar um microfone incorporado ou um microfone externo.



## 8. Gravação áudio

Desligar/Ligar (Predefinição: Desligar)

Quando a gravação de áudio está activada, a câmara grava áudio durante a gravação de vídeo.

**Nota:** Esta opção só funciona nos modos de vídeo e de gravação em loop.

## 9. Valor exposição

-2 / -1,7 / -1,3 / -1,0 / -0,7 / -0,3 / 0 / 0,3 / 0,7 / 1,0 / 1,3 / 1,7 / 2 (Predefinição: 0)

Por Predefinição, a sua câmara utiliza toda a imagem para determinar o nível de exposição adequado. No entanto, a opção Exposição permite-lhe seleccionar uma área à qual pretende que a câmara dê prioridade ao determinar a exposição. Esta definição é particularmente útil em fotografias em que uma região importante poderia ficar sobre ou subexposta. A câmara apresentará as alterações na imagem no momento em que alterar a definição. Ela voltará a usar a imagem inteira para determinar o nível de exposição apropriado se você trocar de modo.

## 10. Medição

Centro/Média/Lugar (Predefinição: Média)

Esta opção permite-lhe definir o modo de medição para diferentes cenas. Pode escolher um modo de medição desejado de acordo com a cena.

# Definições de foto

## 1. Resolución foto

20MP/16MP/12MP/8MP (Predefinição: 20MP)

Esta câmara tem capacidade para captar fotografias de 20 MP, sendo que uma resolução mais elevada oferece maior nitidez e detalhe devido ao maior número de pixels. No entanto, uma fotografia de maior resolução também resulta em ficheiros de maiores dimensões.



## 2. Formato de saída

JPEG/JPEG+DNG (Predefinição: JPEG)

Formato de saída decide os formatos de saída da fotografia, incluindo JPEG e JPEG+DNG. DNG significa Digital Negative (Negativo digital), um formato de imagem bruta sem perdas que preserva os dados da imagem sem compressão ou perda. A escolha de DNG resulta em tamanhos de ficheiro de fotografia maiores, mas garante uma qualidade de imagem superior e proteção contra a perda de dados.

**Nota:** O formato de saída será desativado quando a câmara estiver no modo Foto em sequência.

## 3. Temporizador

Desligar/1 Segundo/3 Segundos/5 Segundos/10 Segundos/30 Segundos  
(Predefinição: 3 Segundos)

Esta opção permite-lhe definir o tempo de contagem decrescente no modo de tempo automático. A câmara irá tirar uma fotografia após o tempo de contagem decrescente definido.

**Nota:** Esta opção só funciona no modo de Temporizador.

## 4. Intervalo de tempo

Desligar/3 Segundos/5 Segundos/10 Segundos/30 Segundos/1 Minuto  
(Predefinição: 3 Segundos)

Esta opção permite-lhe especificar a frequência com que as fotografias são captadas e compiladas no modo de fotografia com lapso de tempo. A câmara irá tirar uma série de fotografias no intervalo definido.

**Nota:** Esta opção funciona apenas no modo Foto TimeLapse.

## 5. Tiro Contínuo

Desligar/3 Tiros/ 5 Tiros/10 Tiros (Predefinição: 3 Tiros)

Esta opção permite-lhe definir o número de fotografias a serem tiradas no modo Foto em sequência.

**Nota:** Esta opção funciona apenas no modo Contínua foto.



## 6. Exposição longa

Desligar/1 Segundo/2 Segundos/5 Segundos/8 Segundos/30 Segundos/60 Segundos (Predefinição: 1Segundos)

Esta opção ajuda-o a definir o tempo de exposição no modo de Exposição longa. A câmara continuará a tirar fotografias até que o tempo definido chegue ao fim.

**Nota:** Esta opção funciona apenas em Exposição longa.

## 7. Valor exposição

-2 / -1,7 / -1,3 / -1,0 / -0,7 / -0,3 / 0 / 0,3 / 0,7 / 1,0 / 1,3 / 1,7 / 2 (Predefinição: 0)

Por Predefinição, a sua câmara utiliza toda a imagem para determinar o nível de exposição adequado. No entanto, a opção Exposição permite-lhe selecionar uma área à qual pretende que a câmara dê prioridade ao determinar a exposição. Esta definição é particularmente útil em fotografias em que uma região importante poderia ficar sobre ou subexposta. A câmara apresentará as alterações na imagem no momento em que alterar a definição. Ela voltará a usar a imagem inteira para determinar o nível de exposição apropriado se você trocar de modo.

## 8. ISO

Auto/100/200/400/600/800/1600/3200 (Predefinição: Auto)

O ISO determina a sensibilidade da câmara à luz e cria um compromisso entre a luminosidade e o ruído da imagem resultante. O ruído da imagem refere-se ao grau de granulação da imagem. Com pouca luz, valores ISO mais altos resultam em imagens mais brilhantes, mas com maior ruído de imagem. Valores mais baixos resultam num menor ruído de imagem, mas em imagens mais escuras.

## 9. Medição

Centro/Média/Lugar (Predefinição: Média)

Esta opção permite-lhe definir o modo de medição para diferentes cenas. Pode escolher um modo de medição desejado de acordo com a cena.

## 10. Qualidade foto

Alto/Meio/ Baixo (Predefinição: Meio)

Esta opção determina o nível de detalhe das suas fotografias.



## Definições do sistema

### 1. Sons

**Tom obturador:** Ligar/Desligar (Predefinição: Ligar)

**Som arranque:** Ligar/Desligar (Predefinição: Ligar)

**Tom de tecla:** Ligar/Desligar (Predefinição: Ligar)

**Volume:** 0, 1, 2, 3

Nesta definição, pode ativar ou desativar os sons do obturador, do arranque e do sinal sonoro, bem como ajustar o volume da câmara.

### 2. Ângulo

Super larga/Largo/Médio/Limitar (Predefinição: Super largo)

O ângulo refere-se à quantidade de cena (medida em graus) que pode ser captada através da objetiva da câmara. O ângulo supergrande angular capta a maior parte da cena, enquanto o ângulo estreito capta a menor parte.

### 3. Controlo por voz

Desligar/Ligar (Predefinição: Desligar)

Quando o Controlo por voz está ativado, pode ordenar à sua câmara que execute tarefas simples utilizando os comandos de voz suportados. Para obter mais detalhes sobre os comandos de voz, toque na opção "Instruções".

<b>Instruções:</b>	AKASO video start	AKASO Wifi on	AKASO take photo
	AKASO stop video	AKASO Wifi off	AKASO power off

### 4. Correção Distorção

Desligar/Ligar (Predefinição: Desligar)

Esta definição corrige o efeito de olho de peixe que pode ocorrer em fotografias de grande angular, resultando em imagens sem distorção.

**Nota:** Esta função será desactivada quando a Estabilização de Imagem estiver activada.



## 5. Balanço de branco

Auto/Tungsténio/Fluorescente/Luz diurna/Nuageux (Predefinição: Auto)

O Balanço de brancos capta os objectos nas fotografias com uma representação precisa das cores em várias condições de iluminação, ajustando o balanço de brancos, tornando-o adequado para utilização em ambientes quentes e frios.

**Nota:** Para definir o Equilíbrio de brancos, desligue primeiro o Modo de mergulho e defina o Filtro para "Naturel".

## 6. Filtre

Naturel/Noir & Blanc/Brun/Coloré/Chaud/Friod (Predefinição: Naturel)

Pode escolher um filtro desejado para obter o melhor efeito de disparo.

**Nota:** Para definir o Filtro, desligue o Modo de Mergulho e defina o Equilíbrio de Brancos para "Auto".

## 7. Modo de mergulho

Desligar/Ligar (Predefinição: Desligar)

O modo de mergulho pode compensar a falta de luz vermelha em cenas subaquáticas. O Modo de mergulho foi concebido para ser utilizado em águas tropicais e azuis, optimizado para utilização entre 10 e 80 pés.

**Nota:** Para ativar o Modo de mergulho, defina primeiro o Filtro para "Naturel" e o Equilíbrio de brancos para "Auto".

## 8. Modo DeInversão

Desligar/Ligar (Predefinição: Desligar)

Esta definição determina a orientação dos seus vídeos ou fotografias para o ajudar a evitar filmagens de cabeça para baixo.

**Nota:** A interface do utilizador ficará de cabeça para baixo quando esta definição for activada. Não é possível ativar a opção Invertida quando a Estabilização de imagem está activada.

## 9. Modo condução

Desligar/Ligar (Predefinição: Desligar)

Neste modo, a câmara grava automaticamente o vídeo e guarda o ficheiro de vídeo quando a ligar ao isqueiro e ligar o motor do automóvel.

## 10. Desligamento Auto

Desligar/1 Minuto/3 Minutos /5 Minutos (Predefinição: 3 Min)

A câmara desliga-se após um período de inatividade para poupar a vida da bateria.

## 11. Protetor de tela

Desligar/ 30 Segundos /1 Minuto/3 Minutos (Predefinição: 30Segundos)

O visor desliga-se automaticamente após um período de inatividade para poupar a vida da bateria. Para voltar a ligar o visor, prima qualquer botão da câmara.

## 12. Língua

English/Deutsch/Français/Italiano/Español/Português/日本語/Koeran/简体中文/繁體中文/Российский (Predefinição: English)

Pode escolher o idioma do sistema para a sua câmara de ação Brave 6 Plus.

## 13. Data e hora

YY/MM/DD, MM/DD/YYYY, DD/MM/YYYY (Predefinição: MM/DD/YYYY)

Nesta definição, pode definir manualmente a data e a hora da sua câmara.

## 14. Carimbo de data

Desligar/Data/Data e Hora (Predefinição: Desligar)

Será adicionada uma marca de água ao vídeo ou à fotografia com base nas suas definições preferidas. Por exemplo, se escolher a opção Data e Hora, a data e a hora actuais serão estampadas no seu vídeo ou fotografia. Em alternativa, tem a opção de desativar esta funcionalidade seleccionando a opção Desligar.

## 15. Potência Frequência

60Hz/50Hz (Predefinição: 50Hz)

A frequência de alimentação, também conhecida como frequência de linha ou frequência de rede, é a frequência da corrente alternada (CA) que é utilizada na maioria dos sistemas de energia eléctrica em todo o mundo. Se vive na zona nordeste, defina a frequência de alimentação para 60Hz, o que significa que a corrente muda de direção 60 vezes por segundo. Se vive fora desta área, defina-a para 50Hz.

## 16. Formatação

Sim/Não (Predefinição: Não)

Antes de capturar, é necessário concluir o processo de formatação. Para manter o seu cartão de memória em boas condições, recomendamos que o reformate regularmente. A reformatação apaga todo o seu conteúdo, por isso certifique-se de que carrega primeiro as suas fotografias e vídeos.

## 17. Redefinir

Sim/Não (Predefinição: Não)

Esta opção reporá todas as definições para os valores predefinidos.

## 18. Sobre

**Marca:** AKASO

**Modelo:** Brave 6 Plus

**Versão:** SN-39-XXXXXX-VX

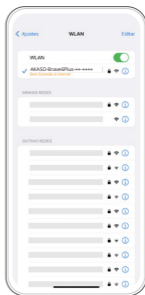
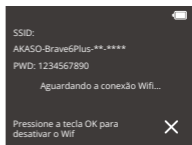
Esta opção permite-lhe verificar a marca, o modelo e a versão de firmware da sua câmara.

# Ligar à aplicação AKASO GO

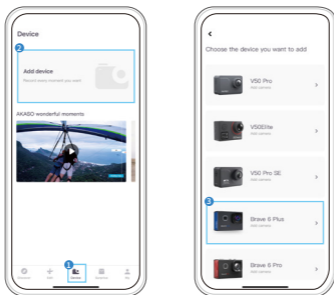
Pode controlar a sua câmara para captar fotografias e vídeos utilizando a aplicação do telemóvel. Para o fazer, descarregue e instale primeiro a aplicação AKASO GO na App Store ou no Google Play. Quando a sua câmara está ligada à aplicação, pode controlá-la para captar ou alterar as definições da câmara. Também pode pré-visualizar, reproduzir, descarregar e editar vídeos em direto através desta aplicação. Siga as instruções abaixo para ligar a sua câmara à APP.

1. Ligue a câmara e, em seguida, prima sem soltar o botão Wifi ou toque no ícone Wifi no menu de modo para ligar o Wifi. A câmara entra no modo Wifi e apresenta a informação Wifi.
2. Ligue o Wifi do seu telefone para entrar na página de definições Wifi, encontre o SSID Wifi na lista e toque nele, depois introduza a palavra-passe 1234567890 para ligação.

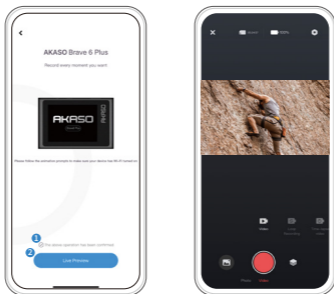
**Dica quente:** Assim que a câmara Wifi estiver ligada, será apresentado um aviso "No Internet Connection" ou "Weak Security", uma vez que o sinal 4G do seu telemóvel está bloqueado. Pode ignorá-lo e continuar a ligação da aplicação.



3. Abrir a aplicação AKASO GO, tocar em "Device"→"Add Device" para escolher "Brave 6 Plus" para ligação.



4. Assinale "The above operation has been confirmed" e toque em "Live Preview". A sua câmara será ligada à aplicação AKASO GO.





## Reproduzir o seu conteúdo

Você pode reproduzir seu conteúdo na câmera, no computador, na TV ou no smartphone. Para reproduzir seus vídeos e fotos em um computador, você precisa transferir esses arquivos primeiro. A transferência de arquivos também libera espaço em sua memória para novos conteúdos. Com esse método, a resolução de reprodução depende da resolução do dispositivo e de sua capacidade de reproduzir essa resolução.

### Ver ficheiros no seu Brave 6 Plus

1. Ligue a sua câmara de ação Brave 6 Plus. Nota: Se o cartão de memória tiver muito conteúdo, pode demorar um minuto a carregar.
2. Prima o botão Para baixo ou toque no ícone de reprodução no canto inferior esquerdo para aceder ao ecrã de reprodução.
3. Toque no ícone Vídeo ou Fotografia para aceder ao conjunto de vídeos ou fotografias. Poderá aceder a todos os ficheiros de vídeo ou fotografia.
4. Toque no ficheiro que pretende ver e ele será reproduzido.

# Eliminar o seu conteúdo

## Eliminar ficheiros no seu Brave 6 Plus

1. Entre no modo de reprodução.
2. Toque no ícone Vídeo ou Fotografia para aceder ao conjunto de vídeos ou fotografias. Poderá aceder a todos os ficheiros de vídeo ou fotografia.
3. Toque no ficheiro que pretende eliminar e, em seguida, toque no ícone Eliminar.
4. O arquivo selecionado será excluído.
5. Para sair do modo de reprodução, basta tocar no ícone Voltar.

## Eliminar ficheiros na aplicação AKASO GO

1. Abra a aplicação AKASO GO e, em seguida, ligue-a à sua câmara.
2. Toque no ícone do Álbum no canto inferior esquerdo para ver todos os vídeos e fotografias.
3. Toque no vídeo ou na fotografia que pretende eliminar, toque no ícone Eliminar no canto superior direito e, em seguida, toque na opção "Eliminar". O ficheiro escolhido será eliminado.



# Carregamento do seu conteúdo

## Transferir o seu conteúdo para um computador

Você pode transferir seu conteúdo para um computador através de um cabo USB ou de um leitor de cartão (vendido separadamente). Para transferir arquivos para o seu computador via cabo USB, conecte sua câmera ao computador usando o cabo USB. Quando solicitado, selecione "Armazenamento USB" como sua preferência de conexão. Para transferir arquivos para o computador usando um leitor de cartão, insira o cartão de memória no leitor de cartão e conecte o leitor à porta USB do seu computador. Após a transmissão bem-sucedida, você pode transferir os arquivos para o seu computador ou excluir arquivos selecionados usando o Explorador de Arquivos.

## Transferir o seu conteúdo para um smartphone

1. Abra a aplicação AKASO GO e, em seguida, ligue a câmera à aplicação.
2. Toque no ícone do Álbum no canto inferior esquerdo para ver os vídeos e as fotografias.
3. Toque no ícone Selecionar, situado no canto superior direito. Depois de ter selecionado o ficheiro pretendido, toque no ícone Transferir, também situado no canto superior direito. Em seguida, toque na opção Descarregar. Aguarde pacientemente que o processo de transferência termine e o ficheiro será guardado com êxito no álbum de fotografias do seu telemóvel.

**Nota:** Se você não conseguir baixar vídeos ou fotos para o seu iPhone através do aplicativo, acesse a página Configurações do seu telefone → Privacidade → Fotos, encontre "AKASO GO" e selecione "Todas as fotos".



## Manutenção da sua câmara

Siga estas orientações para obter o melhor desempenho da sua câmara:

1. Para obter o melhor desempenho de áudio, agite a câmara ou sobre no microfone para remover os detritos dos orifícios do microfone.
2. Para limpar a lente, limpe-a com um pano macio e sem pêlos. Não insira objectos estranhos à volta da lente.
3. Não toque na lente com os dedos.
4. Mantenha a câmara afastada de quedas e choques, que podem danificar os componentes internos.
5. Mantenha a câmara afastada de temperaturas elevadas e de luz solar intensa para evitar que seja danificada.



## Maximizar a vida útil da bateria

Se a bateria atingir 0% durante a gravação, a câmara guarda o ficheiro e desliga-se. Para maximizar a vida útil da bateria, siga estas diretrizes sempre que possível:

- Desativar as ligações sem fios
- Captura de vídeo com taxas de quadros e resoluções mais baixas
- Utilizar a definição de Proteção de ecrã.



## Armazenamento e manuseamento da bateria

A câmara contém componentes sensíveis, incluindo a bateria. Evite expor a sua câmara a temperaturas muito frias ou quentes. As condições de temperatura baixa ou alta podem reduzir temporariamente a vida útil da bateria ou fazer com que a câmara deixe temporariamente de funcionar corretamente. Evite mudanças drásticas de temperatura ou humidade quando utilizar a câmara, pois pode formar-se condensação na câmara ou dentro dela.

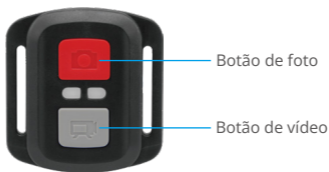
1. Não seque a câmara ou a bateria com uma fonte de calor externa, como um forno micro-ondas ou um secador de cabelo. Os danos na câmara ou na bateria causados pelo contacto com líquidos no interior da câmara não estão cobertos pela garantia.
2. Não guarde a bateria com objectos metálicos, tais como moedas, chaves ou colares. Se os terminais da bateria entrarem em contacto com objectos metálicos, isso pode provocar um incêndio.
3. Não faça quaisquer alterações não autorizadas à câmara. Se o fizer, pode comprometer a segurança, a conformidade regulamentar, o desempenho e pode anular a garantia.

**AVISO:** Não deixe cair, não desmonte, não abra, não esmague, não dobre, não deforme, não perfure, não triture, não leve ao micro-ondas, não incinere nem pinte a câmara ou a bateria. Não introduza objectos estranhos na abertura da bateria da câmara. Não utilize a câmara ou a bateria se estiverem danificadas - por exemplo, se estiverem rachadas, furadas ou danificadas pela água. A desmontagem ou perfuração da bateria pode provocar uma explosão ou incêndio.



## Remoto

Quando a câmera é ligada, é automaticamente ligada ao telecomando. Pode controlar a câmera para tirar fotografias ou gravar vídeos utilizando o telecomando.



Apenas à prova de salpicos, não à prova de água

### Vídeo

Para gravar vídeos, primeiro verifique se a câmera está no modo de vídeo.

Para começar a gravar, simplesmente pressione o botão de vídeo cinza. A câmera emitirá um beep com a luz indicadora de funcionamento piscando.

Para parar a gravação, basta pressionar novamente o botão de vídeo cinza. A câmera emitirá um beep com a luz indicadora de funcionamento desligada.

### Foto

Para tirar uma foto, primeiro verifique se a câmera está no modo de foto e, em seguida, pressione o botão de foto. A câmera emitirá um som de obturador indicando a conclusão da captura..

### Tiro Contínuo

Para tirar várias fotos rapidamente, primeiro verifique se a câmera está no modo de foto em sequência e depois pressione o botão de foto. A câmera emitirá um som de obturador indicando a conclusão da captura.



## Time Lapse

Para capturar fotos ou vídeos em lapso de tempo, primeiro verifique se a câmera está no modo de lapso de tempo e, em seguida, pressione o botão de foto ou vídeo. A câmera emitirá um som de obturador indicando a conclusão da captura.

## Substituição da pilha CR2032 para o Brave 6 Plus Remote

(1) Utilize uma chave de fendas Phillips de 1,8 mm para retirar os 4 parafusos da tampa traseira do telecomando, o que lhe permitirá abri-lo.



(2) Retirar outros 4 parafusos da placa de circuito impresso.





(3) Levante a placa PCB e faça deslizar a bateria para fora, como mostra a figura.

**Nota:** NÃO gire a placa de circuito impresso para evitar inverter as funções dos botões da câmara e do vídeo.



(4) Instale a nova bateria, mantendo o pólo "+" virado para cima.

(5) Volte a colocar os 4 parafusos na placa de circuito impresso.

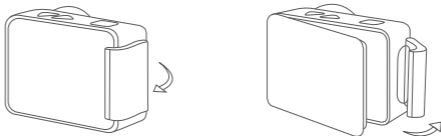


(6) Volte a colocar os 4 parafusos na tampa.

## Montagem da câmara

Pode fixar a sua câmara a capacetes, equipamento e muito mais.

Aberto



Fechar



**Nota:** Instale a câmara na caixa estanque antes de a utilizar debaixo de água, para evitar que a câmara fique encharcada e não funcione normalmente.







## Contactar-nos

✉ [cs@akasotech.com](mailto:cs@akasotech.com)    🌐 [www.akasotech.com](http://www.akasotech.com)

Para quaisquer questões sobre os produtos AKASO, não hesite em contactar-nos. Responderemos dentro de 24 horas.

